

## COMBI WALL-MOUNTED PLASTIC DISTRIBUTION BOARDS (IP40)



- for building, residential and similar installations
- for mounting devices on DIN EN 60715 rail of width 35 mm with cut-out in 45 mm cover plate
- installed devices: max. 63 A, 520 V
- standard package contains:
  - PE and N terminal blocks
  - DIN EN 60715 sliding rails of width 35 mm; device rails form single sliding metal frame for easier handling with two and three-row distribution boards
  - labels
  - blank covers for filling unused cut-outs in cover plate in distribution board colour (1 pc / row)
- colour: white
- door: transparent/non-transparent, opening upwards to fixed position
- prepressed openings for cables leading out from all sides
- resistance rating class: II



### Wall-mounted distribution boards

Door	Number of rows	Maximum number of modules in a row (total) <sup>1)</sup>	Type	Product code	Maximum power loss [W] <sup>2)</sup>	Weight [kg]	Packing [pcs]
Non-transparent	1	4 (4)	COMBI-04N	11967	9.0	0.42	1
		8 (8)	COMBI-08N	11968	12.0	0.58	1
		12 (12)	COMBI-12N	11969	15.0	0.76	1
	2	12 (24)	COMBI-24N	11970	21.0	1.32	1
		12 (36)	COMBI-36N	11971	27.8	1.86	1
		12 (36)	COMBI-36N	11971	27.8	1.86	1
Transparent	1	4 (4)	COMBI-04P	11972	9.0	0.42	1
		8 (8)	COMBI-08P	11973	12.0	0.58	1
		12 (12)	COMBI-12P	11974	15.0	0.76	1
	2	12 (24)	COMBI-24P	11975	21.0	1.32	1
		12 (36)	COMBI-36P	11976	27.8	1.86	1
		12 (36)	COMBI-36P	11976	27.8	1.86	1

<sup>1)</sup> 1 module = 17.5 mm

<sup>2)</sup>  $\Delta T = 30 \text{ K}$  (difference between internal and external temperature)

### Accessories for COMBI

Terminal block holder	<b>DSB-OC</b>	page C15
PE and N terminal blocks	<b>SB6, SB10, SB14</b>	page C15
Blank covers	<b>ZAS-G</b>	page C15

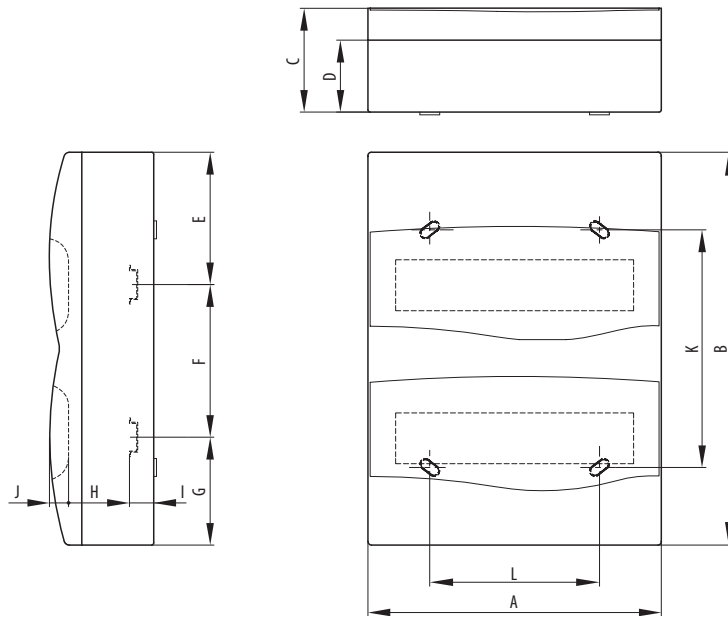
### Specifications

Type	<b>COMBI</b>				
Standards	EN 60439-1, EN 60439-3, EN 62208				
Approval marks					
Colour	white				
Protection	IP40				
Rated values of devices used	max. 63 A, 520 V				
Device rail	DIN EN 60715 rail of width 35 mm				
Resistance rating class	II				
Door:	<table border="0"> <tr> <td>opening</td> <td>upwards to fixed position</td> </tr> <tr> <td>version</td> <td>transparent / non-transparent</td> </tr> </table>	opening	upwards to fixed position	version	transparent / non-transparent
opening	upwards to fixed position				
version	transparent / non-transparent				
Material	flame retardant thermoplastic - glow wire test max. 650 °C *				
Ambient temperature	-25 ÷ +60 °C				

\* For mounting on materials of A and B (EN 13501-1) flammability ratings

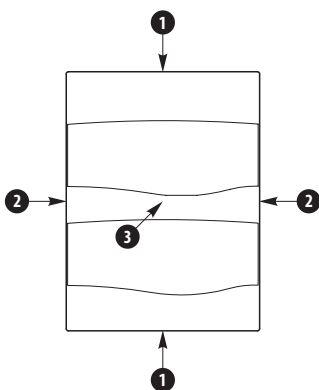
## COMBI WALL-MOUNTED PLASTIC DISTRIBUTION BOARDS (IP40)

### Dimensions



COMBI wall-mounted distribution boards [mm]

Dimension	Type				
	COMBI-04...	COMBI-08...	COMBI-12...	COMBI-24...	COMBI-36...
A	120	192	264	264	264
B	229	229	229	354	498
C	98	98	98	98	98
D	66	66	66	66	66
E	122	122	122	122	141
F	-	-	-	125	2x125
G	107	107	107	107	107
H	50	50	50	50	50
I	22	22	22	22	22
J	26	26	26	26	26
K	180	105	117	220	365
L	-	100	140	165	170



### Prepressed for outlets with nut and installed PE and N terminal blocks

Type of distribution board	Prepressed for outlets with nut - side			Inserted PE and N terminal blocks PE a N <sup>1)</sup>	Number of available plates <sup>2)</sup>
	1	2	3		
COMBI-04...	3x Ø 32-25	1x Ø 32-25	2x2xPg21	1xSB6 a 1xSB6	1
COMBI-08...	4x Ø 25 + 3x Ø 32-25	1x Ø 32-25	2x2xPg21	1xSB10 a 1xSB6	1
COMBI-12...	6x Ø 25 + 2x Ø 32-25 + Ø 40-32	1x Ø 32-25	2x3xPg21	1xSB14 a 1xSB10	3
COMBI-24...	6x Ø 25 + 2x Ø 32-25 + Ø 40-32	2x Pg21-16	(2x2xPg21)+(2x4xPg21)	2xSB14 a 1xSB14	2
COMBI-36...	6x Ø 25 + 2x Ø 32-25 + Ø 40-32	2x Pg21-16	4x4xPg21	2xSB14 a 2xSB14	2

<sup>1)</sup> SB6=2x16 mm<sup>2</sup> + 4x10 mm<sup>2</sup>, SB10=2x16 mm<sup>2</sup> + 8x10 mm<sup>2</sup>, SB14=2x16 mm<sup>2</sup> + 12x10 mm<sup>2</sup>

<sup>2)</sup> Each PE and N pair is placed in a DSB-OC holder, which is affixed onto the plates at the top/bottom of the distribution board; if needed, other DSB-OC holders with PE and N (SB6, SB10, SB14) terminal strips may be placed on available plates - see accessories