

TERMINAL COVERS

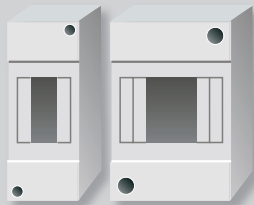
- for mounting devices on DIN EN 60715 rail of width 35 mm with cut-out in 46 mm cover plate
- IP30 protection
- for simple prevention against dangerous direct contact
- standards: EN 35 70 30/72, EN 60439-1, EN 60439-3

CX terminal covers

- sealing capability
- cover is affixed to the base with 2 screws
- at the top of the base and cover are prepressed openings for wires leading out

KJ terminal covers

- sealing capability after inserting the pin into the base (the pin is part of the cover)
- base contains DIN EN 60715 device rail of width 35 mm
- cover is fastened to the base with plastic latches
- at the top of the base and cover are prepressed openings for wires leading out
- type KJ-4L is equipped with 4x16 mm² terminal strip



CX terminal covers

Max. number of modules ¹⁾	Type	Product code	Weight [kg]	Packing [pcs]
2	CX2	00083	0.08	1
4	CX4	00084	0.09	1

¹⁾ 1 module = 18 mm

KJ terminal covers

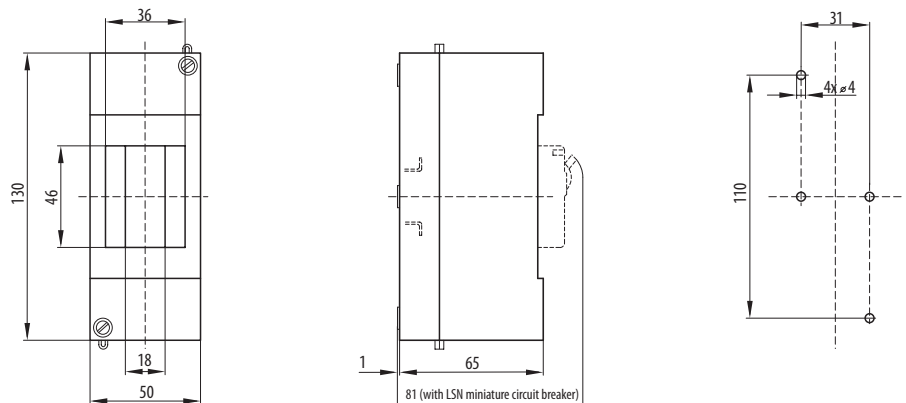
Max. number of modules ¹⁾	Type	Product code	Weight [kg]	Packing [pcs]
1	KJ-1	00037	0.055	1
3	KJ-3	08048	0.09	1
4	KJ-4	00039	0.14	1
	KJ-4L ²⁾	08419	0.16	1

¹⁾ 1 module = 18 mm

²⁾ Contains 4x16 mm² terminal strip

Dimensions

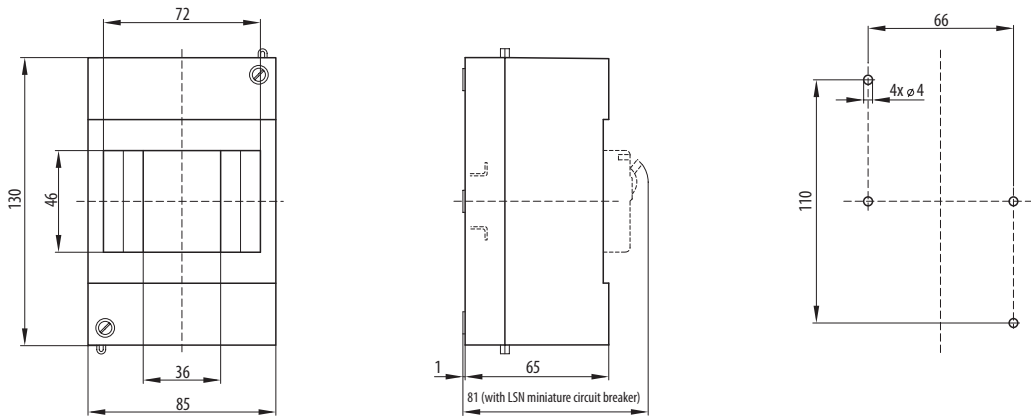
CX2



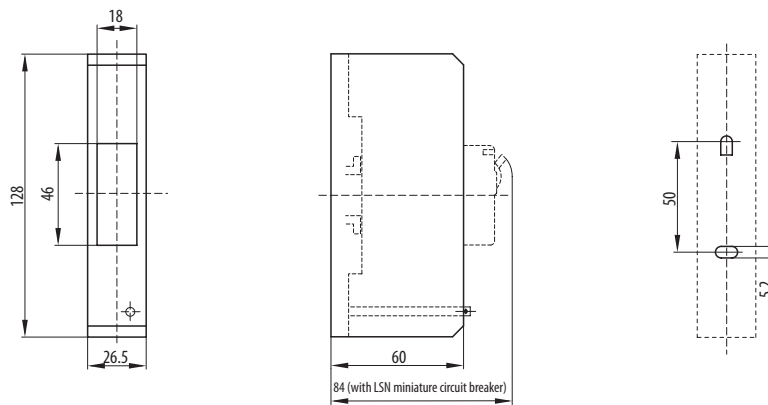
TERMINAL COVERS

Dimensions

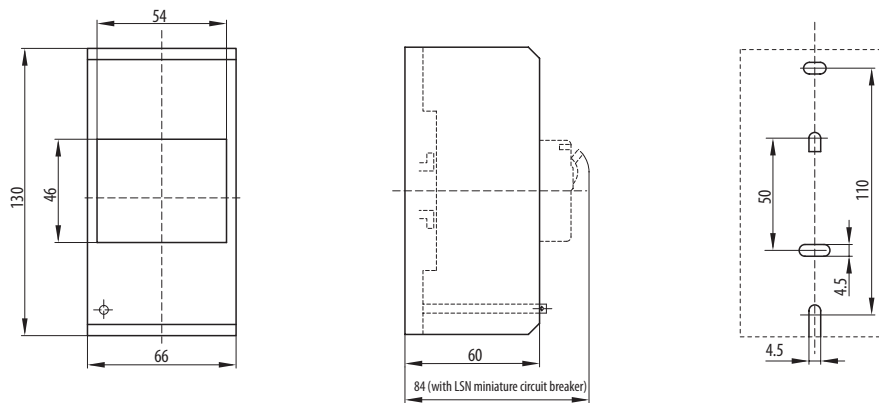
CX4



KJ-1



KJ-3



KJ-4, KJ-4L

