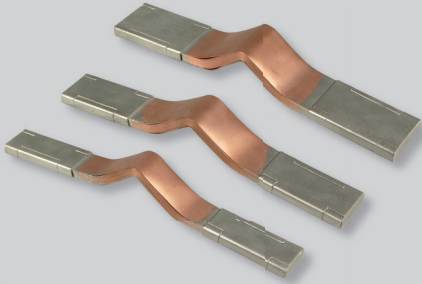
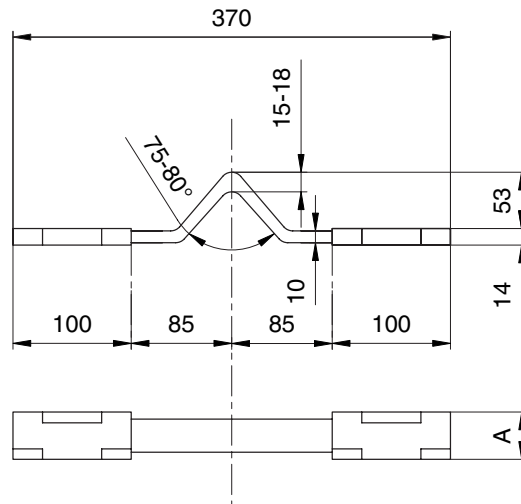


## ELASTIC CONNECTORS

- supplied without holes (drilled upon mounting)
- for bars wider than 60 mm, 2 connectors are used side-by-side
- for establishing rated currents of elastic connectors it is necessary to start from EN 33 2000-5-523

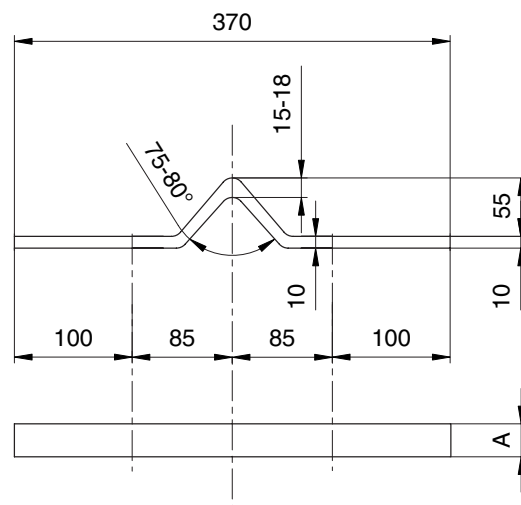


### Copper elastic connectors PS-CU



Type	Product code	Minimum cross-section [mm <sup>2</sup> ]	Bottom width (size A) [mm]	Weight [kg]	Packing [pcs]
PS-CU 40/10	7447	360	40	1.5	1
PS-CU 50/10	7448	460	50	2.0	1
PS-CU 60/10	7449	560	60	2.6	1

### Aluminium elastic connectors PS-AL



Type	Product code	Minimum cross-section [mm <sup>2</sup> ]	Bottom width (size A) [mm]	Weight [kg]	Packing [pcs]
PS-AL 40/10	7444	400	40	0.5	1
PS-AL 50/10	7445	500	50	0.6	1
PS-AL 60/10	7446	600	60	0.7	1