

SUMMARY OF MODELS

Type	OPVP10	OPVP14	OPVP22	OPT22/OPT20	OPVF10
Rated operating current I_e / Rated current I_n	32 A / -	63 A / -	125 A / -	63 A / -	- / 30 A
Rated operating voltage U_e / Rated voltage U_n	AC 690 V / - DC 440 V / -	AC 690 V / - DC 440 V / -	AC 690 V / - DC 440 V / -	AC 1 500 V / - DC 1 000 V / -	- / DC 1 000 V
Fuse-link size	10x38	14x51	22x58	22x127, 20x127	10x38
Utilization category of fuse link	gG, aM, gR, aR	gG, aM, gR, aR	gG, aM, gR, aR	gR/gS, gR, aR	gR, gPV
Utilization category at AC 400 V	AC-21B	AC-21B	AC-21B	-	-
Utilization category at AC 1 500 V	-	-	-	AC-20B	-
Utilization category at DC 250 V	DC-21B	DC-21B	DC-21B	-	-
Utilization category at DC 1 000 V	-	-	-	DC-20B	-

Accessories

Interconnecting busbars 	S1L-..., S2L-..., S3...	S3L-...	CS-OPV22-...	-	-
Terminal extension 	AS-...		CS-FH000-..	-	-
Adapter for busbar system with spacing 60 mm 	GA-...		-	-	-
Remote signalling of fuse-link state 		MD-M3		-	-

FUSE DISCONNECTORS OPT



- Fuse disconnectors are intended for cylindrical fuse-links PT22.
- For the circuits of photovoltaic systems, trolleybuses and trams.
- Hole in the cover for check of fuse amperage.
- Delivered with P-terminal, it can be removed, and the fuse disconnector can be connected by cable lugs and screws M8.
- Fixed to the panel by screws M6.

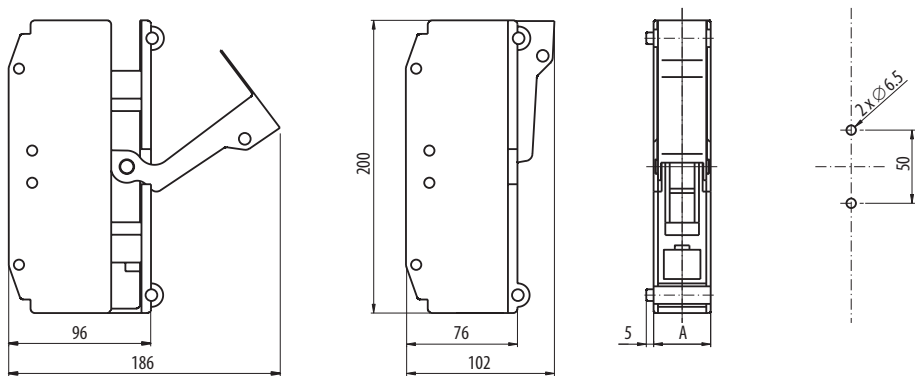
Fuse disconnector

I_n [A]	Type	Order code	Number of poles	Weight [kg]	Package [pcs]
63	OPT22/1	OEZ:08474	1	0.48	4
	OPT22/2	OEZ:08344	2	0.96	2
	OPT22/3	OEZ:08700	3	1.44	1
	OPT22/4	OEZ:08345	4	1.92	1
	OPT20	OEZ:34403	1	0.48	1

Specifications

Type	OPT22, OPT20	
Standards	IEC 60947-1 IEC 60947-3 EN 60947-1 EN 60947-3	
Approval marks		
Rated operating current	I_e	63 A
Rated operating voltage	U_e	AC 1 500 V / DC 1 000 V
Utilization category	AC-20B DC-20B	
Fuse-link size	diameter x length	22x127, 20x127
Max. power losses of the fuse-link	P_v	15 W
Connection		
Connection cross-section	Cu	1 ÷ 50 mm ²
	Al	solid 2.5 ÷ 50 mm ²
Torque	3.5 ÷ 4 Nm	
Operating conditions		
Mechanical endurance	operating cycles	2 200
Degree of protection, cover closed	IP20	
Operating ambient temperature	-25 ÷ +55 °C	
Max. sea level	2 000 m	

Dimensions



Type	A [mm]			
	1pól	2pól	3pól	4pól
OPT22	40	80	120	160
OPT20	40	-	-	-

Diagram

