

MONITORING RELAY MMR, 5SV8



MMR-P1-001-A230

Current monitor

- For monitoring the value of current passing through the measured circuit.
- Range of the monitored current depending on version: 0.1 ÷ 1 A; 0.5 ÷ 5 A; 2.5 ÷ 25 A
- Adjustable delays 0 ÷ 15 min.
- The relay is equipped with an output make-and-break contact 16 A.
- Light indication of presence of supply voltage (green LED).
- Light indication at closing of contacts 15-18 (yellow LED).

Monitored current	Type	Order code	Number of modules	Weight [kg]	Package [pcs]
0.1 ÷ 1 A	MMR-P1-001-A230	OEZ:45597	1	0.088	10
0.5 ÷ 5 A	MMR-P5-001-A230	OEZ:45598	1	0.088	10
2.5 ÷ 25 A	MMR-P25-001-A230	OEZ:45599	1	0.098	10

Specifications

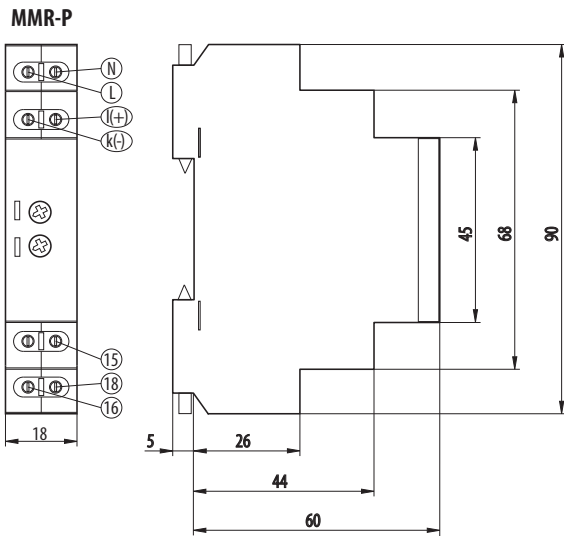
Type		MMR-P1-001-A230	MMR-P5-001-A230	MMR-P25-001-A230
Standards		EN 60255-1 IEC 60255-1	EN 60255-1 IEC 60255-1	EN 60255-1 IEC 60255-1
Approval marks		CE	CE	CE
Main circuit (contact)				
Arrangement of contacts ¹⁾		001	001	001
Rated operating voltage/current	U_c/I_c	AC - 1 250 V / 16 A	250 V / 16 A	250 V / 16 A
		DC-1 24 V / 16 A	24 V / 16 A	24 V / 16 A
Max. switched power		AC 4 000 VA	4 000 VA	4 000 VA
		DC 384 W	384 W	384 W
Min. voltage/current		DC 5 V/100 mA	DC 5 V/100 mA	DC 5 V/100 mA
Power loss at I_c		1.4 W	1.4 W	1.4 W
Switched power of relay	AC - 3	1 kW	1 kW	1 kW
Connection – conductor rigid and flexible		0.2 ÷ 2.5 mm ²	0.2 ÷ 2.5 mm ²	0.2 ÷ 2.5 mm ²
Torque		0.5 Nm	0.5 Nm	0.5 Nm
Mechanical endurance		30 000 000 operating cycles	30 000 000 operating cycles	30 000 000 operating cycles
Electrical endurance		100 000 operating cycles	100 000 operating cycles	100 000 operating cycles
Supply circuit				
Rated voltage	U_c	AC 230 V	AC 230 V	AC 230 V
Input power		1.5 VA	1.5 VA	1.5 VA
Supply voltage indication		green LED	green LED	green LED
Rated frequency	f_n	50 Hz	50 Hz	50 Hz
Connection – conductor rigid and flexible		0.2 ÷ 2.5 mm ²	0.2 ÷ 2.5 mm ²	0.2 ÷ 2.5 mm ²
Torque		0.5 Nm	0.5 Nm	0.5 Nm
Measuring circuit				
Monitored current		0.1 ÷ 1 A	0.5 ÷ 5 A	2.5 ÷ 25 A ²⁾
Rating of the measuring circuit		2 A	7 A	32 A
Output indication in exceeding the set current		yellow LED	yellow LED	yellow LED
Adjustable delay		0 ÷ 15 min	0 ÷ 15 min	0 ÷ 15 min
Method of setting		control knobs on the front panel	control knobs on the front panel	control knobs on the front panel
Connection – conductor rigid and flexible, terminal k (+), l (-)		0.2 ÷ 2.5 mm ²	0.2 ÷ 2.5 mm ²	0.2 ÷ 4 mm ²
Torque		0.5 Nm	0.5 Nm	0.5 Nm
Other data				
Galvanic isolation	input/output	4 kV	4 kV	4 kV
Mounting on "U" rail according to EN 60715 – type		TH35	TH35	TH35
Degree of protection		IP20	IP20	IP20
Ambient temperature		-20 ÷ +55 °C	-20 ÷ +55 °C	-20 ÷ +55 °C
Working position		arbitrary	arbitrary	arbitrary

¹⁾ Each digit indicates successively the number of make and break contacts.

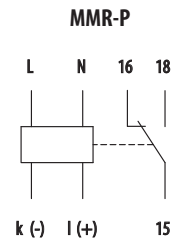
²⁾ The relay enables measurement of only alternating currents.

MONITORING RELAY MMR, 5SV8

Dimensions



Diagram



Graph

Current monitoring MMR-P

