

STAIR SWITCHES MQA, MQB, MQC, MQD



MQA-16-100-A230



MQB-16-100-A230



MQC-16-100-A230



MQD-16-100-A230

Stair switches MQA-..

- Mainly for control of lighting circuits from more points in a corridor, on stairs, in the whole house etc.
- Possibility of 3-wire or 4-wire connection.
- Contacts: 1 make.
- Easy time setting (0.5 ÷ 10 min) by the knob on the front panel of the device.
- Max. 50 control push-buttons with glow lamp 1 mA.

Type	Order code	Number of modules	Weight [kg]	Package [pcs]
MQA-16-100-A230	OEZ:37210	1	0.086	1

Stair switches MQB-..

- Mainly for control of lighting circuits from more points in a corridor, on stairs, in the whole house etc.
- Possibility of 3-wire or 4-wire connection.
- Time setting (0.5 ÷ 10 min) by the knob on the front panel of the device.
- Contacts: 1 make.
- Max. 50 control push-buttons with glow lamp 1 mA.
- Warning before expiration of the set time - 20 and 40 seconds before expiration of the set time the stair switch warns by indicator short blinking of oncoming end of timing.
- If the control push-button is pressed longer than 1 s, the stair switch will switch on for a time four times longer than the set time.

Type	Order code	Number of modules	Weight [kg]	Package [pcs]
MQB-16-100-A230	OEZ:37211	1	0.086	1

Stair switches MQC-..

- Mainly for control of lighting circuits from more points in a corridor, on stairs, in the whole house etc.
- Possibility of 3-wire or 4-wire connection.
- Time setting (3 ÷ 60 min) by the knob on the front panel of the device.
- Max. 50 control push-buttons with glow lamp 1 mA.
- Contacts: 1 make.
- Warning before expiration of the set time - 20 and 40 seconds before expiration of the set time the stair switch warns by indicator short blinking of oncoming end of timing.
- The timing is terminated by pressing the push-button again before 40 seconds to the end of the set time. The timing cycle is restarted by pressing the push-button again 40 or less seconds to the end of the set time.

Type	Order code	Number of modules	Weight [kg]	Package [pcs]
MQC-16-100-A230	OEZ:37830	1	0.086	1

Stair switches MQD-..

- Mainly for control of circuits from more points in a corridor, on stairs, in the whole house etc.
- Possibility of 3-wire or 4-wire connection.
- Time setting (0.5 ÷ 10 min) by the control element on the front panel of the device.
- Contacts: 1 make.
- Max. 50 control push-buttons with glow lamp.
- Repeated pressing of the push-button extend the timing by the set interval.
- Pressing of the push-button longer than 2 seconds enables premature switching off.

Type	Order code	Number of modules	Weight [kg]	Package [pcs]
MQD-16-100-A230	OEZ:45602	1	0.115	1

STAIR SWITCHES MQA, MQB, MQC, MQD

Specifications

Type		MQA-16-100-A230	MQB-16-100-A230	MQC-16-100-A230	MQD-16-100-A230
Standards		EN 60669	EN 60669	EN 60669	EN 60669
Approval marks		CE EAC	CE EAC	CE EAC	CE
Main circuit (contact)					
Arrangement of contacts ¹⁾		100	100	100	100
Rated operating voltage	U_e	AC 250 V	AC 250 V	AC 250 V	AC 250 V
Rated current	I_n AC-1	16 A	16 A	16 A	16 A
Inductive load	cos ϕ 0.6	10 A	10 A	10 A	10 A
Lamp load max.		2 000 W	2 000 W	2 000 W	2 000 W
Max. fluorescent tube load	uncompensated	20 pcs 58 W	20 pcs 58 W	20 pcs 58 W	20 pcs 58 W
	compensated in series	40 pcs 58 W	40 pcs 58 W	40 pcs 58 W	40 pcs 58 W
	duo-connection	2x 20 pcs 58 W	2x 20 pcs 58 W	2x 20 pcs 58 W	2x 20 pcs 58 W
	EVG = electronic ballast	5 pcs 20 W	5 pcs 20 W	5 pcs 20 W	5 pcs 20 W
Min. switched voltage/current		10 V / 300 mA	10 V / 300 mA	10 V / 300 mA	-
Rated frequency	f_n	50/60 Hz	50/60 Hz	50/60 Hz	50/60 Hz
Connection		1.5 ÷ 6 mm ²	1.5 ÷ 6 mm ²	1.5 ÷ 6 mm ²	1x 2.5 mm ² ; 2x 1.5 mm ²
Torque		1.2 Nm	1.2 Nm	1.2 Nm	1.2 Nm
Control circuit					
Rated control voltage	U_c	AC 230 V	AC 230 V	AC 230 V	AC 230 V
Range of control voltage		90 ÷ 110 % U_c	90 ÷ 110 % U_c	90 ÷ 110 % U_c	90 ÷ 100 % U_c
Rated frequency	f_n	50 Hz	50 Hz	50 Hz	50/60 Hz
Power loss	at idle state	0.7 W	1 W	1 W	0.5 W
	at timing process	3.5 W	1.7 W	1.7 W	1.2 W
Time setting		0.5 ÷ 10 min	0.5 ÷ 10 min	3 ÷ 60 min	0.5 ÷ 10 min
Min. excitation time		30 ms	30 ms	30 ms	50 ms
Max. excitation time ²⁾		unlimited	unlimited	unlimited	unlimited
Max. number of push-buttons with glow lamp 1 mA		50 pcs	50 pcs	50 pcs	100 pcs
Reset by next impulse		yes	yes	yes	no
Additional extension of the set time		no	yes ³⁾	no	yes ⁴⁾
Warning before end of timing		no	yes ⁵⁾	yes ⁵⁾	no
Connection		1.5 ÷ 6 mm ²	1.5 ÷ 6 mm ²	1.5 ÷ 6 mm ²	1x 2.5 mm ² ; 2x 1.5 mm ²
Torque		1.2 Nm	1.2 Nm	1.2 Nm	1.2 Nm
Other data					
Mounting on "U" rail according to EN 60715 – type		TH 35	TH 35	TH 35	TH 35
Degree of protection		IP20	IP20	IP20	IP20
Ambient temperature		-10 ÷ +50 °C	-10 ÷ +50 °C	-10 ÷ +50 °C	-15 ÷ +50 °C
Working position		arbitrary	arbitrary	arbitrary	arbitrary

¹⁾ Each digit indicates successively the number of make, break and break-make contacts.

²⁾ The device is able to withstand permanent load either in switching the manual change-over switch on the front panel of the device or in control push-button locking.

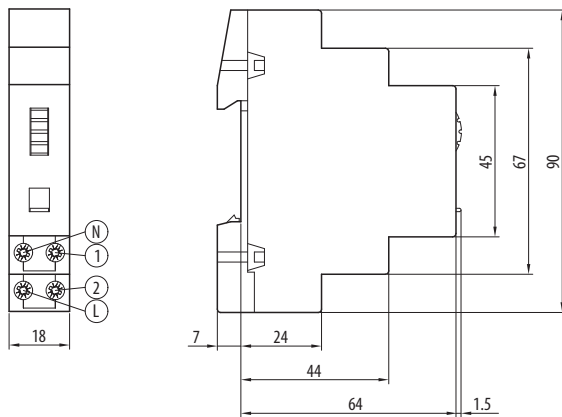
³⁾ If the control push-button is closed for more than 1 s, the set time is extended four times.

⁴⁾ By repeated pressing of the control push-button, the set time is extended so many times, how many times the push-button has been pressed.

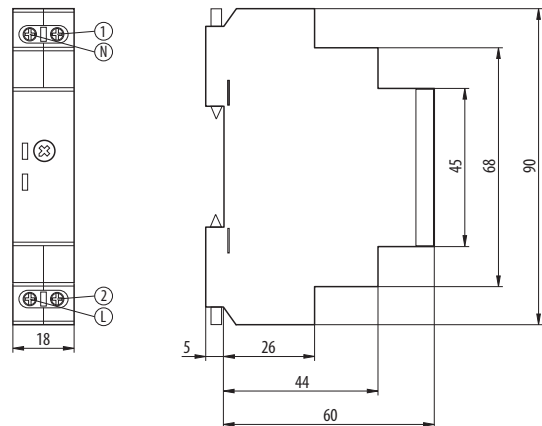
⁵⁾ 20 and 40 seconds before expiration of the set time the stair switch warns by indicator short flashing of oncoming end of timing.

Dimensions

MQA-16-100-A230, MQB-16-100-A230, MQC-16-100-A230

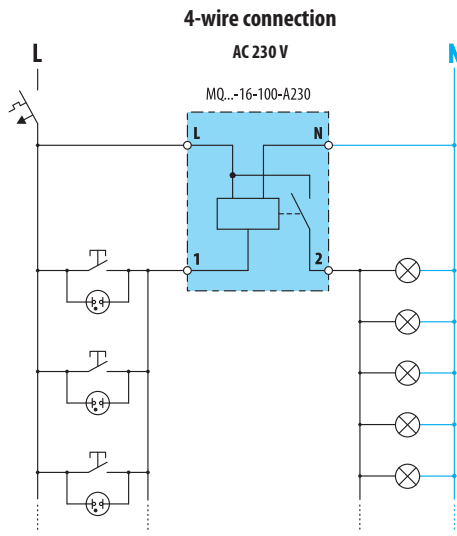


MQD-16-100-A230

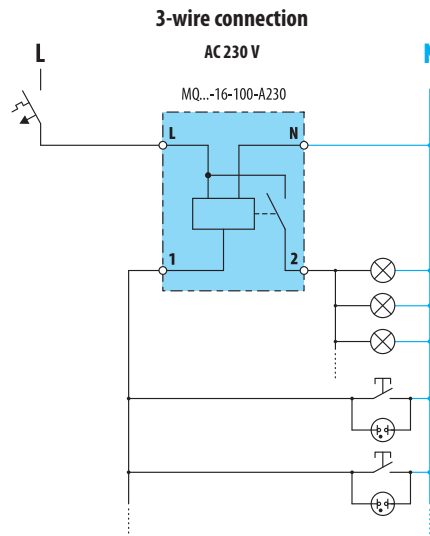


STAIR SWITCHES MQA, MQB, MQC, MQD

Connection examples



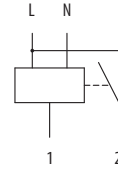
Stair switch is controlled by switching of the phase conductor. This connection is used mainly in new installations.



Stair switch is controlled by switching of the N-conductor. This connection is used only in old installations.

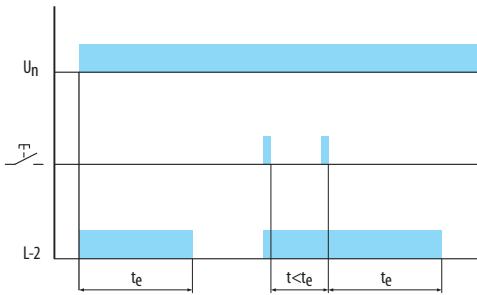
Diagram

- MQA-16-100-A230
- MQB-16-100-A230
- MQC-16-100-A230
- MQD-16-100-A230

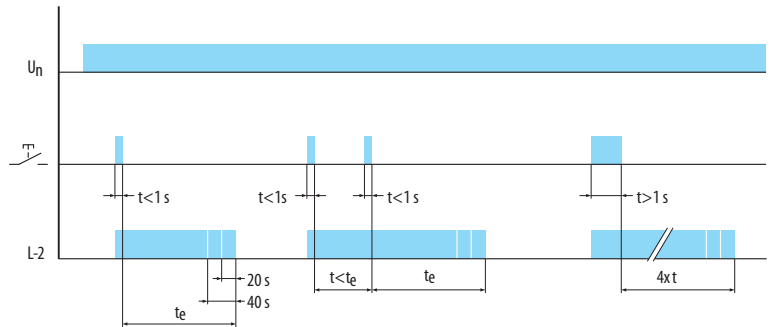


Graph

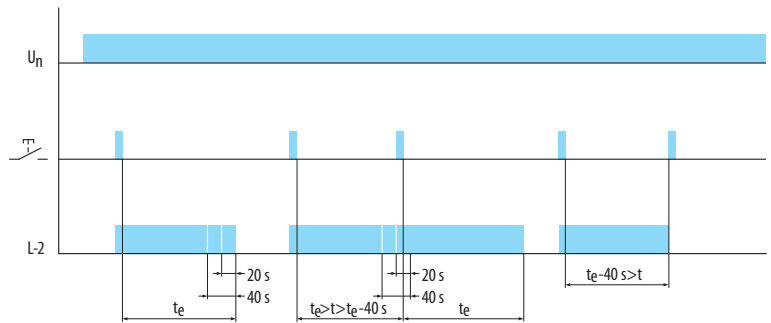
MQA-16-100-A230



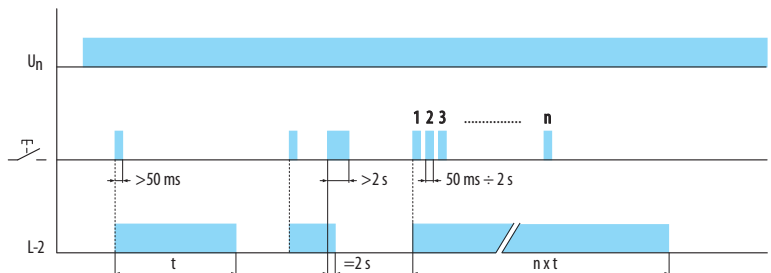
MQB-16-100-A230



MQC-16-100-A230



MQD-16-100-A230



Note:

In case of blocking of the control push-button in closed position, the MQA, MQB and MQC stair switches remain in closed condition continuously.

In case of blocking of the control push-button in closed position for more than 4 s, the MQD stair switches remain in closed condition continuously.