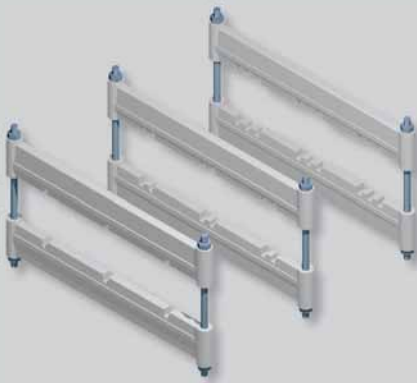


BUSBAR SUPPORTS DELTA



PD-QK-DELTA310

Basic description

- System is for constructing busbar systems with rated currents up to 6 300 A and rated peak short-circuit currents up to 240 kA in QA cabinets.
- Support is made from highly sturdy fibre-reinforced thermoplastic polyester.
- Two metal connectors with M10 threading and spacing of 375 mm used to tighten supports onto busbars and anchor assembly into the structure.
- Considering their external dimensions, can be used for horizontal placement in cabinets with depths 600 mm and larger.
- For fastening in QA cabinets use rails PD-Q13-45LBDxx or PD-Q13-65LBDxx.
- Mounting busbars in supports:
 - nuts are tightened along width of middle bracket
 - nuts are tightened only 1.5 revolutions.
- PD-QK-DELTAx10 package contains:
 - 2 supports
 - 2 bolts 230 mm
 - fastening material (nut).
- PD-QK-DELTAx10/10 package contains:
 - 20 supports
 - 20 bolts 230 mm
 - fastening material (nut).

270 mm bolts are ordered separately for a busbars width of 120 mm.

Type	Order code	Number of busbars in phase	Minimum busbar dimensions		Maximum busbar dimensions		Weight [kg]	Package [pcs]
			thickness [mm]	width [mm]	thickness [mm]	width [mm]		
PD-QK-DELTA110	OEZ:17445	1	10	40	10	120	1.50	1
PD-QK-DELTA210	OEZ:17446	2	10	40	10	120	1.45	1
PD-QK-DELTA310	OEZ:17447	3	10	40	10	120	1.40	1
PD-QK-DELTA110/10	OEZ:35856	1	10	40	10	120	15.00	1
PD-QK-DELTA210/10	OEZ:35857	2	10	40	10	120	14.50	1
PD-QK-DELTA310/10	OEZ:35858	3	10	40	10	120	14.00	1

Specifications

Type	PD-QK-DELTA110, PD-QK-DELTA210, PD-QK-DELTA310
Operating voltage	1 000 V
Operating temperature	- 40 ÷ + 130 °C
External breakdown voltage	20 kV
Phase spacing	120 mm
Permissible bending strength	0.6 kN
Permissible tensile strength	20 kN
Critical tensile strength	40 kN
Flammability rating class	UL94 - V0
Colour	RAL7032

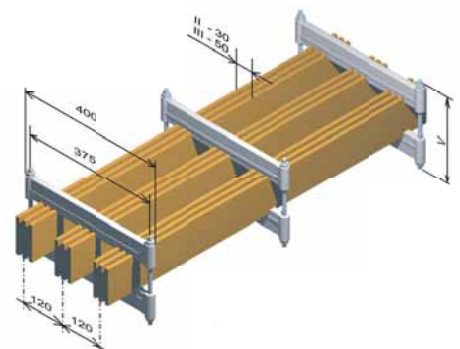
Screw bolts for DELTA busbar supports

- For joining and fastening DELTA busbar supports.
- The package contains:
 - 2 screw bolts.

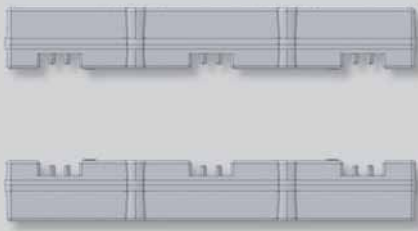
Type	Order code	Screw bolt thread	Connector length [mm]	Weight [kg]	Package [pcs]
PD-QK-SV270	OEZ:20159	M10	270	0.16	1

Mounting dimensions

Length/type of screw bolt	Busbar dimensions		Assembly height
	thickness [mm]	width [mm]	V [mm]
230 mm Part of set PD-QK-DELTA...	10	40	180
	10	50	170
	10	60	180
	10	80	200
270 mm PD-QK-SV270	10	120	240



BUSBAR SUPPORTS DELTA...C



PD-QK-DELTA305C

Basic description

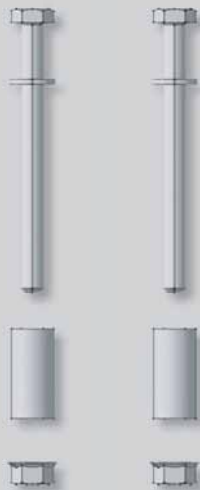
- Support is made from highly sturdy fibre-reinforced thermoplastic polyester.
- Mounting set containing two metal connectors with M10 threading and spacers according to busbar size used to tighten supports onto busbars and anchor assembly into the structure.
- For fastening in QA cabinets use rails PD-Q13-45LBDxx or PD-Q13-65LBDxx.
- For fixing the screw head in the rails ..LBD.. it is possible to use the locking washers PD-QK-MLBD.
- 100 mm spacing of connectors for anchoring.
- 272 mm width of rail allows use in horizontal placement in cabinets with depth of 400 mm and greater.
- The package contains:
 - 2 supports.

Mounting set is ordered separately.

Type	Order code	Number of busbars in phase	Minimum busbar dimensions		Maximum busbar dimensions		Weight [kg]	Package [pcs]
			thickness [mm]	width [mm]	thickness [mm]	width [mm]		
PD-QK-DELTA110C	OEZ:20752	1	10	30	10	125	1.1	1
PD-QK-DELTA210C	OEZ:20753	2	10	30	10	125	1.1	1
PD-QK-DELTA305C	OEZ:20754	3	5	30	5	125	1.1	1

Specifications

Type	PD-QK-DELTA110C, PD-QK-DELTA210C, PD-QK-DELTA305C
Operating voltage	1 200 V
Operating temperature	- 40 ÷ + 130 °C
Rated withstand voltage	12 kV
Phase spacing	100 mm
Weight of rail group	1100 g
Capacity of group	80 kg
Permissible tensile strength	16 kN
Critical tensile strength	22 kN
Flammability rating class	UL94 - V0 kN
Tightening torque of nuts in group	15 N/m
Colour	RAL7032



PD-QK-DS50

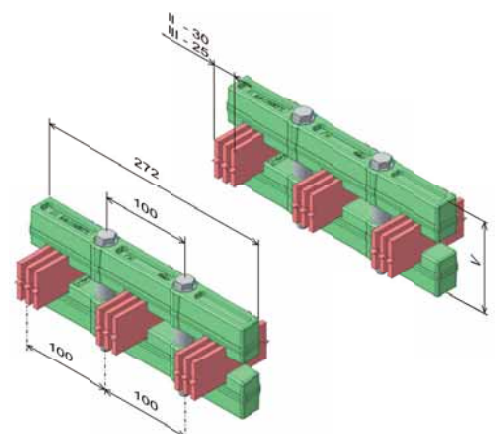
Mounting sets

- For joining and fastening DELTA...C busbar supports.
- The package contains:
 - 2 screw bolts
 - 2 spacers
 - fastening material.

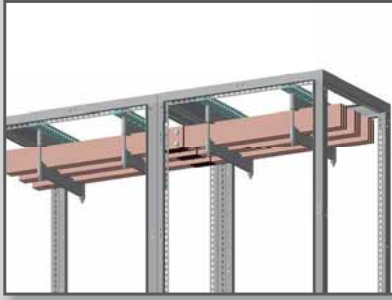
Busbar height [mm]	Type	Order code	Screw bolt thread	Assembly height [mm]	Weight [kg]	Package [pcs]
30	PD-QK-DS30	OEZ:20755	M10	90	0.3	1
40	PD-QK-DS40	OEZ:20756	M10	100	0.3	1
50	PD-QK-DS50	OEZ:20757	M10	110	0.3	1
60	PD-QK-DS60	OEZ:20758	M10	120	0.3	1
80	PD-QK-DS80	OEZ:20759	M10	140	0.3	1
100	PD-QK-DS100	OEZ:20760	M10	160	0.3	1
120	PD-QK-DS120	OEZ:20761	M10	180	0.3	1

Mounting dimensions

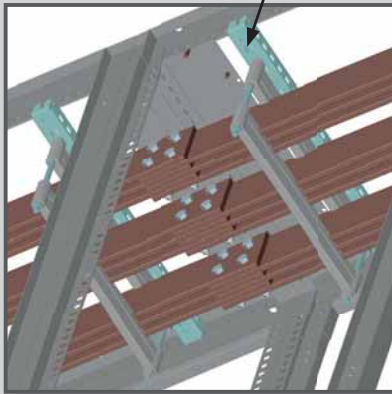
Busbars width [mm]	Assembly height V [mm]
30	90
40	100
50	110
60	120
80	140
100	160
120	180



RAILS FOR FIXING DELTA AND DELTA...C SUPPORTS



PD-Q13-45LBD08



Basic description

- For the supports of main busbars DELTA and DELTA...C.
- For simple installation of the main busbars.
- Asymmetric perforation of the rail for easy connection of the main busbars.
- The package contains:
 - 1 rail
 - fastening material.

For cabinet depth [mm]	Type	Order code	Rail height [mm]	Weight [kg]	Package [pcs]
400	PD-Q13-45LBD04	OEZ:37167	40	0.5	1
500	PD-Q13-45LBD05	OEZ:37168	40	0.6	1
600	PD-Q13-45LBD06	OEZ:37169	40	0.7	1
800	PD-Q13-45LBD08	OEZ:37170	40	0.9	1
1 000	PD-Q13-45LBD10	OEZ:37171	40	1.0	1
400	PD-Q13-65LBD04	OEZ:45511	65	0.7	1
500	PD-Q13-65LBD05	OEZ:45512	65	0.9	1
600	PD-Q13-65LBD06	OEZ:45513	65	1.1	1
800	PD-Q13-65LBD08	OEZ:45514	65	1.3	1
1 000	PD-Q13-65LBD10	OEZ:45515	65	1.5	1

Locking washer

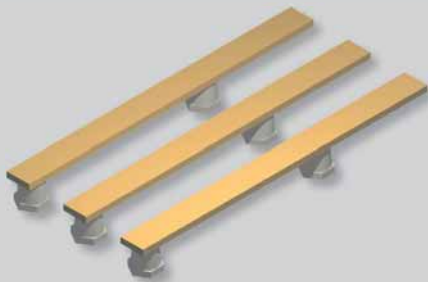
- For mounting PD-QK-DELTA...C on PD-Q13-45LBD.. rails.
- The package contains:
 - 10 washers.

Type	Order code	Weight [kg]	Package [pcs]
PD-QK-MLBD	OEZ:38558	0.3	1

SUPPORT INSULATORS



PD-QK-PW40M..



Basic description

- For fastening busbars into the switchboard cabinet.
- Busbar dimensions: 30 x 5 mm minimum
120 x 10 mm maximum.
- Produced from glass fibre-reinforced thermoset or thermoplastic.
- M8, M10 and M12 threaded spacers.
- PD-QK-PW40Mxx package contains:
– 1 support insulator.
- PD-QK-PW40Mxx/100 package contains:
– 100 support insulators.

Type	Order code	Threaded insert	Support height [mm]	Weight [kg]	Package [pcs]
PD-QK-PW40M8	OEZ:17440	M8	40	0.10	1
PD-QK-PW40M10	OEZ:17441	M10	40	0.10	1
PD-QK-PW40M12	OEZ:17442	M12	40	0.10	1
PD-QK-PW40M8/100	OEZ:35859	M8	40	10	1
PD-QK-PW40M10/100	OEZ:35860	M10	40	10	1
PD-QK-PW40M12/100	OEZ:35861	M12	40	10	1

Specifications

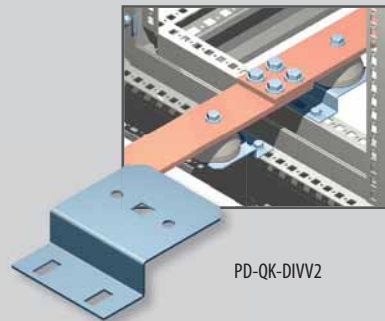
Type	PD-QK-PW40..
Operating voltage	1 000 V
Operating temperature	-40 ÷ +130 °C
External breakdown voltage	8 kV
Internal breakdown voltage	20 kV
Permissible bending strength	10 kN
Permissible tensile strength	12 kN
Permissible torsion strength	100 N/m
Flammability rating class	UL94 - V0

SUPPORT INSULATOR BRACKETS



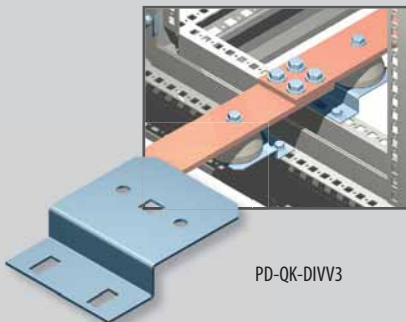
- For mounting PD-QK-PW40M8 support insulators.
- Recess 20 mm.
- 2 mm steel sheet.
- Galvanised finish.
- Support insulator affixed on □ 12.5 mm hole.
- Bracket affixed to frame on two 9 x 20 mm holes.
- The package contains:
 - 1 bracket.

Type	Order code	Recess [mm]	Weight [kg]	Package [pcs]
PD-QK-DIVV1	OEZ:17437	20	0.3	1



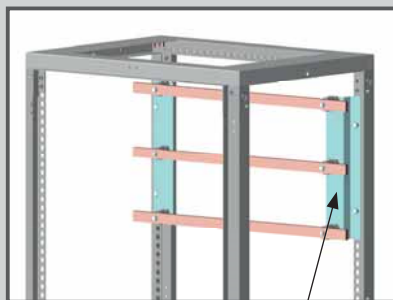
- For mounting PD-QK-PW40M8 support insulators.
- Recess 30 mm.
- 2 mm steel sheet.
- Galvanised finish.
- Support insulator affixed on □ 12.5 mm hole.
- Bracket affixed to frame on two 9 x 20 mm holes.
- The package contains:
 - 1 bracket.

Type	Order code	Recess [mm]	Weight [kg]	Package [pcs]
PD-QK-DIVV2	OEZ:17438	30	0.3	1



- For mounting PD-QK-PW40M8 support insulators.
- Recess 25 mm.
- 2 mm steel sheet.
- Galvanised finish.
- Support insulator affixed on □ 12.5 mm hole.
- Bracket affixed to frame on two 9 x 20 mm holes.
- The package contains:
 - 1 bracket.

Type	Order code	Recess [mm]	Weight [kg]	Package [pcs]
PD-QK-DIVV3	OEZ:37172	25	0.3	1



- For the busbar system supports D100/185 or 3x (6x) supporting insulator PD-QK-PW40...
- For busbar system with busbar spacing 185 or 100 mm.
- The package contains:
 - 1 bracket.

Type	Order code	Weight [kg]	Package [pcs]
PD-Q13-DIM3-185	OEZ:37173	0.16	1

PE bracket with earthing

- PE protective conductor holder.
- The package contains:
 - 2 brackets.

Type	Order code	Weight [kg]	Package [pcs]
PD-Q13-DIZ1	OEZ:39581	0.3	1