

## FLEXIBLE CONNECTORS

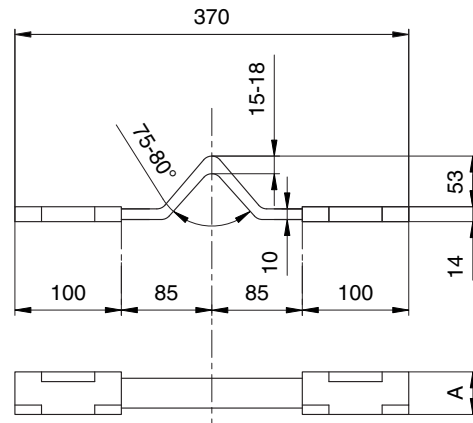


PS-CU 40/10  
PS-CU 50/10  
PS-CU 60/10

### Basic description

- Supplied without holes (drilled upon mounting).
- For bars wider than 60 mm, 2 connectors are used side-by-side.
- For determination of rated currents of the flexible connectors it is necessary to follow relevant rating and protection regulations.
- Contact surfaces are tin plated.
- The package contains:
  - 1 flexible connector.

### PS-CU copper elastic connectors

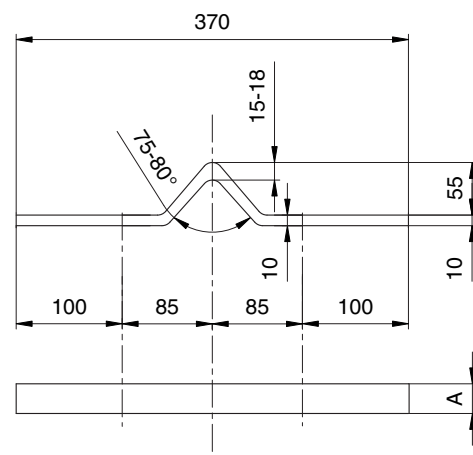


Type	Order code	Min. cross section [mm <sup>2</sup> ]	Width of foot (size A) [mm]	Weight [kg]	Package [pcs]
PS-CU 40/10	OEZ:07447	360	40	1.5	1
PS-CU 50/10	OEZ:07448	460	50	2.0	1
PS-CU 60/10	OEZ:07449	560	60	2.6	1



PS-AL 40/10

### PS-AL aluminium elastic connectors



Type	Order code	Min. cross section [mm <sup>2</sup> ]	Width of foot (size A) [mm]	Weight [kg]	Package [pcs]
PS-AL 40/10	OEZ:07444	400	40	0.5	1
PS-AL 50/10	OEZ:07445	500	50	0.6	1
PS-AL 60/10	OEZ:07446	600	60	0.7	1