

SURGE VOLTAGE ARRESTERS SVD

T3



SVD-253-1N-MZS

SVD-335-3N-MZS

- For protection of electric networks and equipment against overvoltage from indirect lightning strokes.
- For protection against overvoltage caused by atmospheric disturbances and from switching processes in networks.
- For protection of common wiring in apartments, houses, commercial buildings etc.
- It reduces voltage and „cut up“ the overvoltage wave power caused by indirect lightning stroke and/or switching processes in the networks.
- Use: as the third stage (fine protection) in three degree scale of protection against overvoltage – type 3 according to EN 61643-11.
- For further information on OEZ offer of overvoltage protection see „Overvoltage protections – Application manual“.

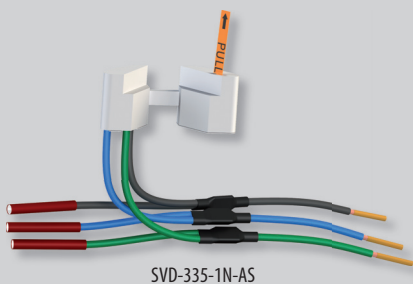
Surge voltage arresters SVD

- Surge voltage arresters designed for protection of overvoltage sensitive devices.
- Use mainly in networks TN-S, TT. If used in TN-C network it is necessary to connect terminals N and PE.
- SVD-253-1N-MZS is intended for single-phase distribution systems and SVD-335-3N-MZS for three-phase distribution systems.
- Main component is varistor.
- Possibility of mounting in casual distribution board and switchboard cabinets Distri.
- Design two-part device consisting of a base and replaceable module with a varistor. In case of a failure it is sufficient to replace the module by a new one without the need of turning the device off.
- Remote and visual signalling of the shut-down device state (after disconnection the surge voltage arrester is non-functional and the replaceable module must be replaced).

Design for network	Type	Order code	Number of modules	Weight [kg]	Package [pcs]
single-phase	SVD-253-1N-MZS	OEZ:38371	1	0.100	1
three-phase	SVD-335-3N-MZS	OEZ:38372	2	0.140	1

Replaceable modules

For device	Spare module	Order code	Number of modules in the device	Weight [kg]	Package [pcs]
SVD-253-1N-MZS	SVD-253-1N-M	OEZ:38373	1	0.040	10
SVD-335-3N-MZS	SVD-335-3N-M	OEZ:38374	1	0.060	10



SVD-335-1N-AS

Surge voltage arrester for installation in socket boxes SVD-335-1N-AS

- Surge voltage arresters designed for protection of overvoltage sensitive devices.
- Installation in common types of mounting boxes together with the original device (separate mounting box is not necessary).
- Acoustic signalling of state.
- Connection with adjacent socket without clamping and additional cabling.

Type	Order code	Weight [kg]	Package [pcs]
SVD-335-1N-AS	OEZ:39164	0.041	1

SURGE VOLTAGE ARRESTERS SVD

T3

Specifications

Type		SVD-253-1N-MZS	SVD-335-3N-MZS	SVD-335-1N-AS
Standards		EN 61643-11 IEC 61643-11	EN 61643-11 IEC 61643-11	EN 61643-11 IEC 61643-11
Approval marks				
Rated voltage	U_N	AC 230 V	AC 230/400 V	AC 230 V
Maximum constant operating voltage	U_C	AC 253 V	AC 335 V	AC 335 V
		L-N N-PE	- AC 255 V	AC 260 V
Rated discharge current (8/20 μ s)	I_n	L-N	3 kA	1.5 kA / pole
		L-PE	3 kA	1.5 kA
		N-PE	-	1.5 kA
Rated loading current at 30 °C	I_L	26 A	26 A	16 A
Off-load voltage	U_{OC}	6 kV	4 kV	4 kV
Rated frequency	f_n	50/60 Hz	50/60 Hz	50/60 Hz
Voltage protection level	U_p	L-N	≤ 1.1 kV	≤ 1.2 kV
		L-PE	≤ 1.5 kV	≤ 1.5 kV
		N-PE	≤ 1.5 kV	≤ 1.5 kV
Arrester classification	according to EN 61643-11	type 3	type 3	type 3
	according to IEC 61643-11	class III	class III	class III
Response time	L-N	≤ 25 ns	≤ 25 ns	≤ 25 ns
	L-PE	≤ 100 ns	≤ 100 ns	≤ 100 ns
Max. backup circuit breaker (C) or fuse gG/gL		25 A	25 A	16 A
Degree of protection		IP20	IP20	IP40
Mounting on "U" rail according to EN 60715 – type		TH 35	TH 35	-
Other installation		-	-	into all types of mounting boxes
Connection				
Conductor - rigid (solid, stranded)		0.2 ÷ 4 mm ²	0.2 ÷ 4 mm ²	-
Conductor – flexible		0.2 ÷ 2.5 mm ²	0.2 ÷ 2.5 mm ²	part of the device including ferrules 1.5 mm ²
Torque		0.8 Nm	0.8 Nm	-
Top or bottom connection		only bottom	only bottom	-
Visual/acoustic signalling				
Functional state		transparent	transparent	-
Non-functional state		red	red	acoustically
Remote signalling				
Arrangement of contacts ¹⁾		01	01	-
Max. voltage/current	U_{max}/I_{max}	AC 250 V / 3 A	AC 250 V / 3 A	-
		DC 30 V / 1 A	DC 30 V / 1 A	-
Connection – conductor (rigid, flexible)		0.2 ÷ 4 mm ²	0.14 ÷ 1.5 mm ²	-
Torque		0.8 Nm	0.8 Nm	-
Operating conditions				
Ambient temperature		-40 ÷ 80 °C	-40 ÷ 80 °C	-25 ÷ 75 °C
Working position		arbitrary	arbitrary	arbitrary

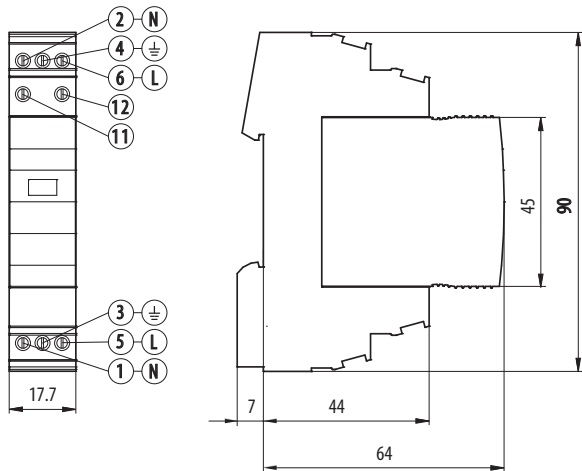
¹⁾ Each digit indicates successively the number of make, break and break-make contacts.

SURGE VOLTAGE ARRESTERS SVD

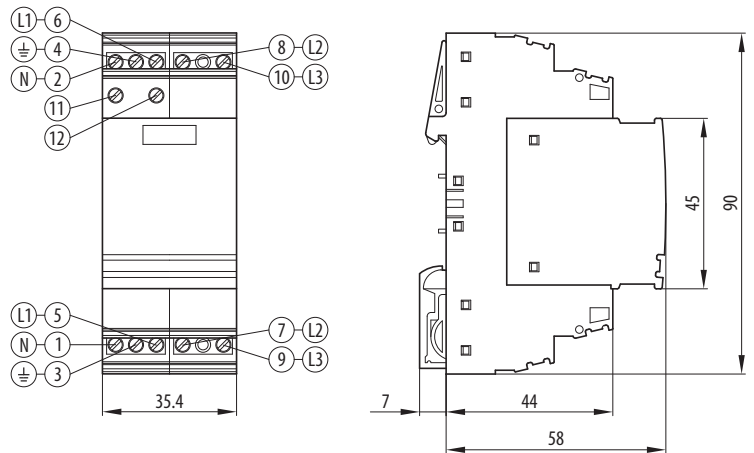
T3

Dimensions

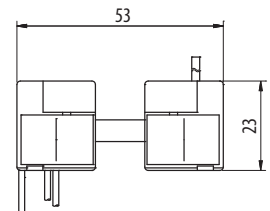
SVD-253-1N-MZS



SVD-335-3N-MZS

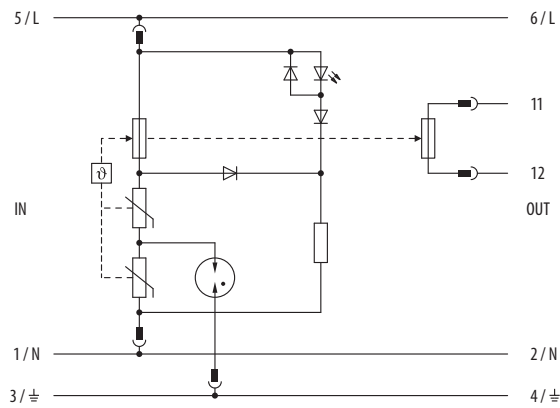


SVD-335-1N-AS

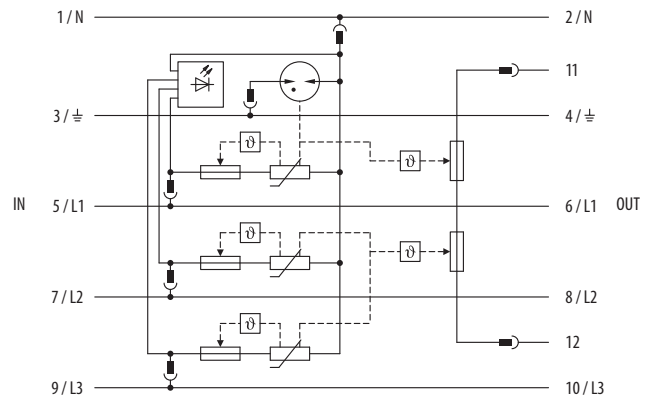


Diagram

SVD-253-1N-MZS



SVD-335-3N-MZS



SVD-335-1N-AS

