

ACCESSORIES FOR PNA, PHNA



Electronic signalling of fuse state

- Can be used for fuse-links of all types and sizes.
- Monitoring of fuse-links state in fuse switch-disconnectors and fuse-bases.
- Auxiliary contact without power supply contact opened.
Auxiliary contact with power supply contact closed.
Fuse-link blowing in the circuit contact opened.
- The devices are designed as modular for 45 mm cutout in the switchboard cover plate.
- Mounting on "U" rails according to EN 60715 (steel rail recommended).

Type	Order code	Weight [kg]	Package [pcs]
MD-M3	OEZ:38614	0.15	1

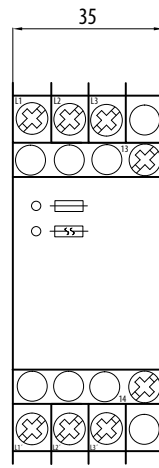
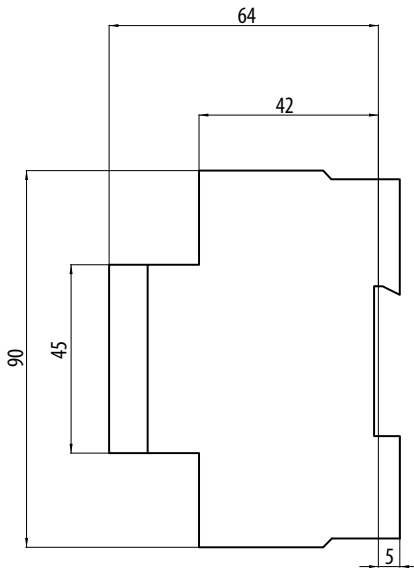
Specifications

Type	MD-M3	
Standards	IEC 60255 DIN VDE 435-110	
Approval marks	CE	
Rated operating voltage	U_e	AC 250 V
Rated operating current	I_e	4 A
Rated control voltage	U_c	AC 3x 415 V
Operating range	0.8 ÷ 1.1 x U_e	
Rated frequency	50 ÷ 400 Hz	
Input impedance	> 1 000 Ω/V	
Maximum permitted backwards power supply	90 %	
Response/release time	< 50 ms	
Rated impulse withstand voltage	U_{imp}	> 4 kV
Electrical endurance	AC-15	1.5x 10 ³
Mechanical endurance	> 10 ⁶	
Degree of protection barrel/terminal block	IP40/IP20	
Number of contacts	1	
Connection cross-section	solid	max. 2x 2.5 mm ²
	stranded with end sleeve	min. 1x 0.5 mm ²
Operating ambient temperature	-20 ÷ +60 °C	
Climatic resistance according	to EN 60068-1	20/060/04

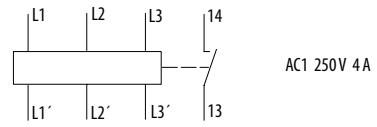
¹⁾ The internal resistance of measuring circuits of the fuse monitor in the MΩ range, therefore when there is fuse missing or it is defective the conditions of contact voltage are still kept (according to EC 974-1, internal resistance >2 000 Ω/V). In order to switch off the device the main back-up circuit breaker has to be disconnected.

ACCESSORIES FOR PNA, PHNA

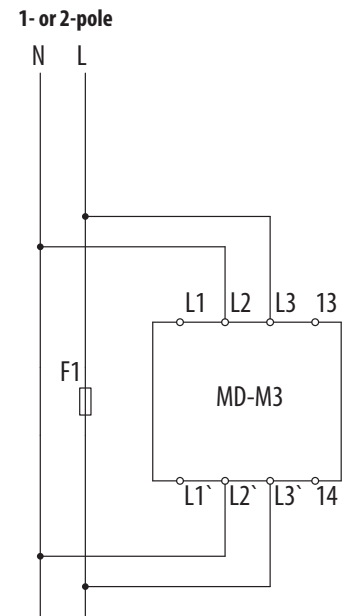
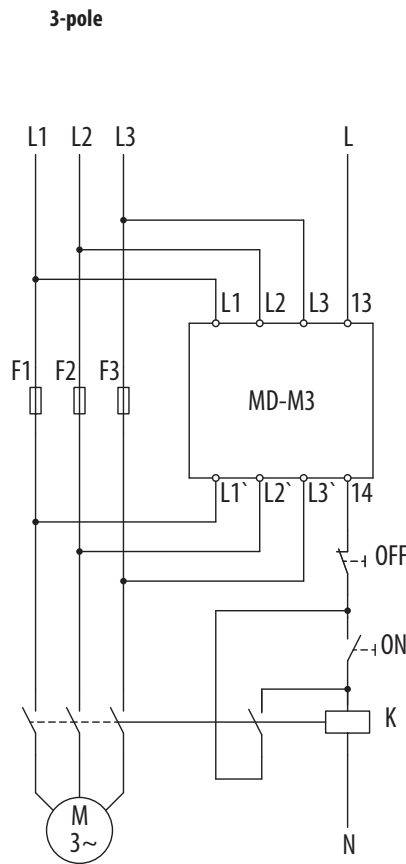
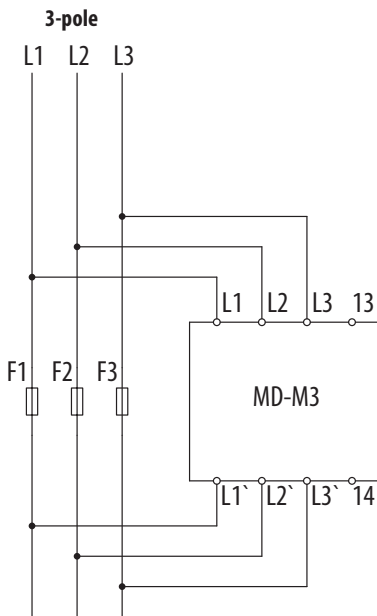
Dimensions



Diagram



Connection



¹⁾ It is possible to check the second fuse-link in the same or different phase at the terminals L3-L3'.

Application from practice, e.g. automatic disconnection and lock of turning-on of the three-phase motor when there is drop-out of one or several fuse-links.