

ACCESSORIES FOR PNA, PHNA



Replacement handles

- Are used for fuse-links handling under voltage but without current.
- D1PH - it is equipped with insulating end barriers to prevent accidental contact, mainly if barriers are not used between fuse-bases. It is intended for single-pole fuse-bases without end barriers.
- DP - it is intended for handling fuse-links in both single and three-pole fuse-bases, which are equipped with insulating barriers.
- DPM - the replacement handle with a protective sleeve to increase the safety of personnel in handling fuse-links. The sleeve is made from beef leather.

Type	Order code	Weight [kg]	Package [pcs]
D1PH	OEZ:06405	0.52	1
DP	OEZ: 07372	0.20	1
DPM	OEZ: 07373	0.52	1

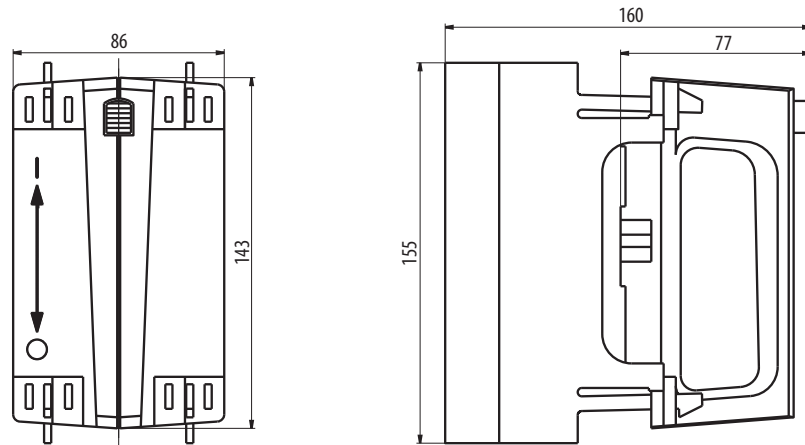
Specifications

Type	D1PH	DP	DPM
Standards	IEC 60269-1, -2;	IEC 60269-1, -2; EN 60269-1, -2	IEC 60269-1, -2; EN 60269-1, -2
Approval marks			
Rated insulation voltage	U _i AC 1 000 V	AC 1 000 V	AC 1 000 V
Fuse-link size	000, 00. 1, 2, 3	000, 00. 1, 2, 3	000, 00. 1, 2, 3

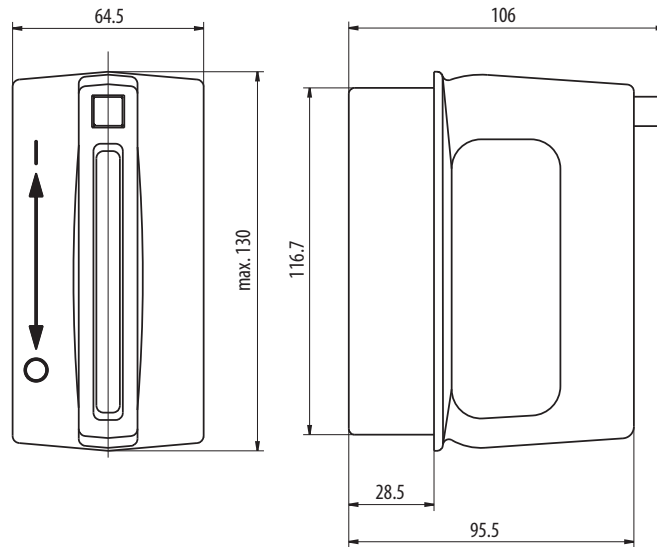
ACCESSORIES FOR PNA, PHNA

Dimensions

D1PH



DP



DPM

