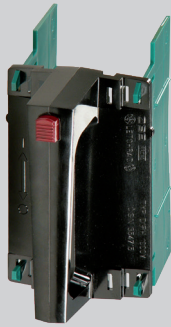


## ACCESSORIES FOR PNA, PHNA



D1PH



DP



DPM

### Replacement handles

- They are used for fuse-links handling under voltage but without current.
- D1PH - it is equipped with insulating barriers to prevent accidental contact, mainly if barriers are not used between fuse-bases. It is intended for single-pole fuse-bases without end barriers.
- DP - it is intended for handling with fuse-links in 1-pole and 3-pole fuse-bases, which are equipped with insulating barriers.
- DPM - the replacement handle with a protective cuff to increase the safety of operator in handling fuse-links. Cuff is made from beef leather.

| Type        | Order code | Weight [kg] | Package [pcs] |
|-------------|------------|-------------|---------------|
| <b>D1PH</b> | OEZ:06405  | 0.52        | 1             |
| <b>DP</b>   | OEZ:07372  | 0.20        | 1             |
| <b>DPM</b>  | OEZ:07373  | 0.52        | 1             |

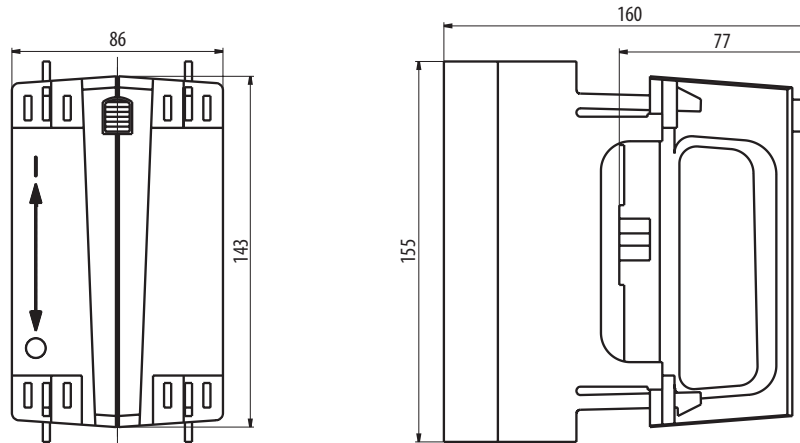
E

### Specifications

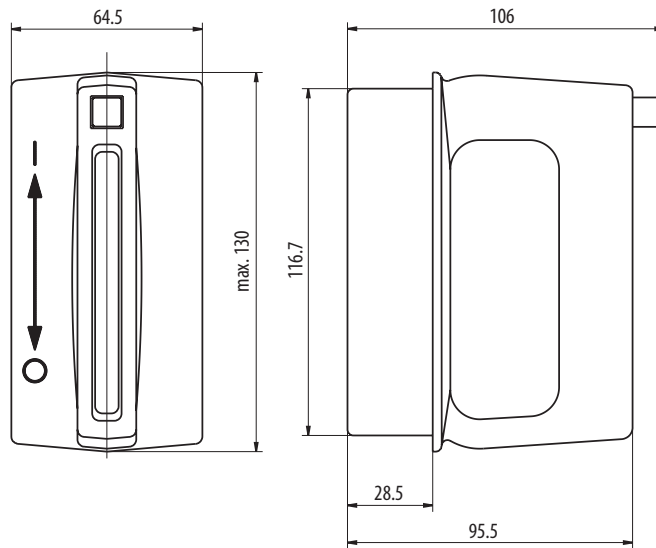
| Type                           | D1PH             | DP                                 | DPM                                |
|--------------------------------|------------------|------------------------------------|------------------------------------|
| Standards                      | IEC 60269-1, -2; | IEC 60269-1, -2;<br>EN 60269-1, -2 | IEC 60269-1, -2;<br>EN 60269-1, -2 |
| Approval marks                 | CE               | CE                                 | CE                                 |
| Rated insulation voltage $U_i$ | AC 1 000 V       | AC 1 000 V                         | AC 1 000 V                         |
| Fuse-link size                 | 000, 00, 1, 2, 3 | 000, 00, 1, 2, 3                   | 000, 00, 1, 2, 3                   |

Dimensions

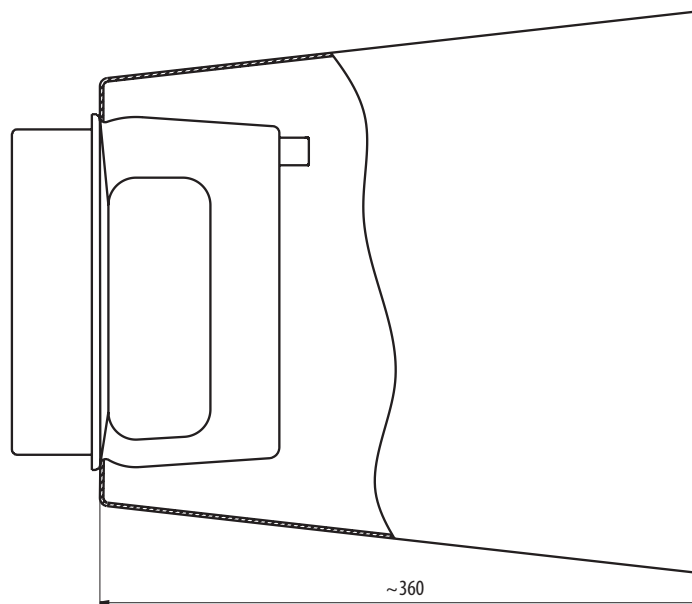
D1PH



DP



DPM



E