

Modular devices



SIGNAL LIGHTS



MKA-SE-A230



SC-..., SE-..., SD-..., SG-...

Signal lights

- For signalling operating states, emergency lighting etc.
- They can be used in both building and industrial installations and in security technology.
- Empty modules of signal lights enable arbitrary design.

Number of indicator lights	Colour of indicator lights	Rated voltage	Type	Order code	Number of modules	Weight [kg]	Package [pcs]
1	red	AC 230 V	MKA-SC-A230	OEZ:37276	1	0.08	1
		AC/DC 24 V	MKA-SC-X024	OEZ:37277	1	0.08	1
	green	AC 230 V	MKA-SE-A230	OEZ:37278	1	0.08	1
		AC/DC 24 V	MKA-SE-X024	OEZ:37279	1	0.08	1
2	white	AC 230 V	MKA-SG-A230	OEZ:37280	1	0.08	1
	red + green	AC 230 V	MKA-SC-SE-A230	OEZ:37281	1	0.09	1

Empty modules of signal lights

Number of holes for indicator lights	Type	Order code	Number of modules	Weight [kg]	Package [pcs]
1	MKA-1	OEZ:35558	1	0.07	1
2	MKA-2	OEZ:35559	1	0.07	1

Accessories

Indicator light	SC-..., SE-..., SD-..., SG-...	page H12
-----------------	--------------------------------	----------

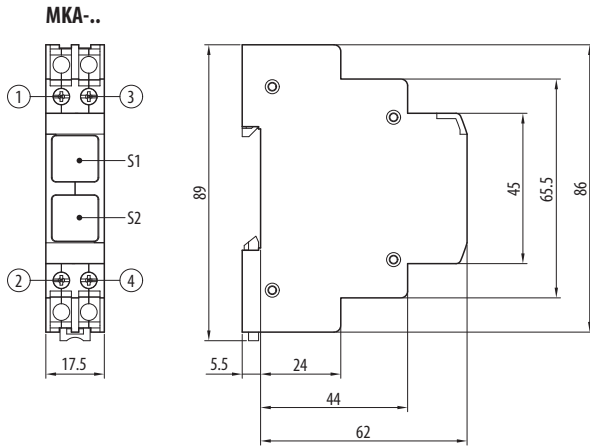
Specifications

Type	MKA-..
Standards	EN 60947-5-1
Approval marks	CE EAC
Light signalling	
Power output	0.8 W
Rated operating voltage	U_c AC/DC 24 V, AC 230 V
Colour of indicator lights	red, green, white ¹⁾
Light	permanent
Source	LED
Dispersion	by raster in front of LED
Connection - conductor Cu	0.75 ÷ 6 mm ² , 2x (0.75 ÷ 2.5) mm ²
Torque	0.8 Nm
Other data	
Mounting on "U" rail according to EN 60715 - type	TH 35
Degree of protection	IP20
Ambient temperature	-25 ÷ +55 °C
Working position	arbitrary

¹⁾ Signal lights contain red, green and white indicator lights. Other colours can be bought optionally as accessory and replaced.

SIGNAL LIGHTS

Dimensions



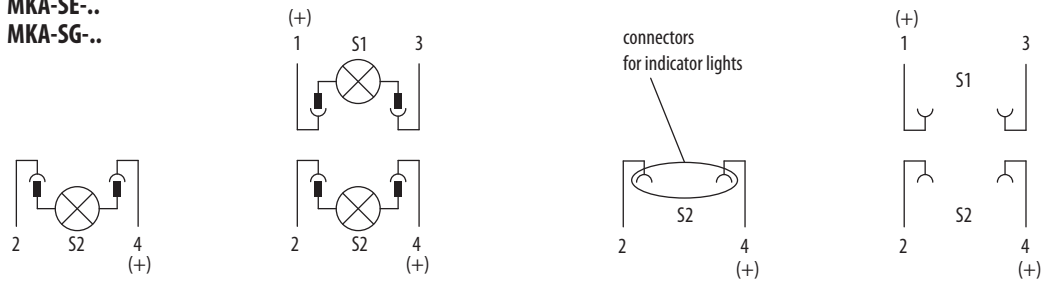
Diagram

MKA-SC-..
MKA-SE-..
MKA-SG-..

MKA-SC-SE-A230

MKA-1

MKA-2



Replacement of indicator lights

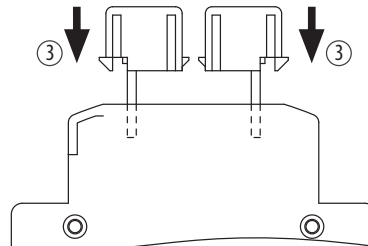
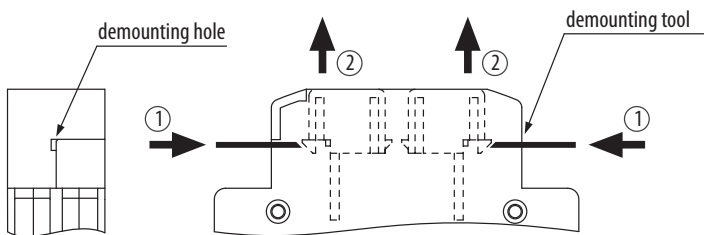
- Installed indicator lights can be replaced by other ones (see accessories).

Indicator light demounting:

- 1) Insert demounting tool (e.g. paper-clip) in the demounting hole and push to ensure that the indicator light jumps up a little.
- 2) Remove the indicator light from the signal light.

Installation of indicator lights:

- 3) Insert and press the indicator light in the hole in the signal light.



▶ **OEZ s.r.o.**
Šedivská 339
561 51 Letohrad
Czech Republic
tel.: +420 465 672 111
+420 465 672 101
fax: +420 465 672 398
+420 465 672 151
e-mail: oeztrade.cz@oez.com
www.oez.com



Any changes reserved

