

## SUMMARY OF MODELS

B

Type	OPVP10	OPVP14	OPVP22	OPT22/OPT20	OPVF10
Rated operating current $I_c$ / Rated current $I_n$	32 A / –	63 A / –	125 A / –	63 A	– / 30 A
Rated operating voltage $U_c$ / Rated voltage $U_n$	AC 690 V / – DC 440 V / –	AC 690 V / – DC 440 V / –	AC 690 V / – DC 440 V / –	AC 1 500 V / – DC 1 500 V / –	– – / DC 1 000 V
Fuse-link size	10x38	14x51	22x58	22x127, 20x127	10x38
Utilization category of fuse-link	gG, aM, gR, aR	gG, aM, gR, aR	gG, aM, gR, aR	gR/gS, gR, aR	gR, gPV
Utilization category at AC 400 V	AC-21B	AC-21B	AC-21B	–	–
Utilization category at AC 1 500 V	–	–	–	AC-20B	–
Utilization category at DC 250 V	DC-21B	DC-21B	DC-21B	–	–
Utilization category at DC 1 000 V	–	–	–	DC-20B	–

Accessories					
 <p>Interconnecting busbars</p>	S1L-..., S2L-..., S3...	S3L-...	CS-OPV22-...	–	S1L-...
 <p>Terminal extensions</p>	AS-50-S...		3NP1123-1BD00	–	–
 <p>Adapter for busbar system with spacing 60 mm</p>	8US..		–	–	–
 <p>Remote signalling of fuse-link state</p>		MD-M3		–	–

### FUSE HOLDERS OPVF



- Fuse holders are intended for cylindrical fuse-links PC10.
- For the circuit of photovoltaic systems.
- The devices are designed as modular for 45 mm cut-out in the switchboard cover plate.
- Mounting on DIN rail (steel rail recommended).

#### Fuse holders

$I_n$ [A]	Type	Order code	Number of poles	Weight [kg]	Package [pcs]
30	OPVF10-1	OEZ:41003	1	0.054	12
	OPVF10-2	OEZ:41004	2	0.107	6

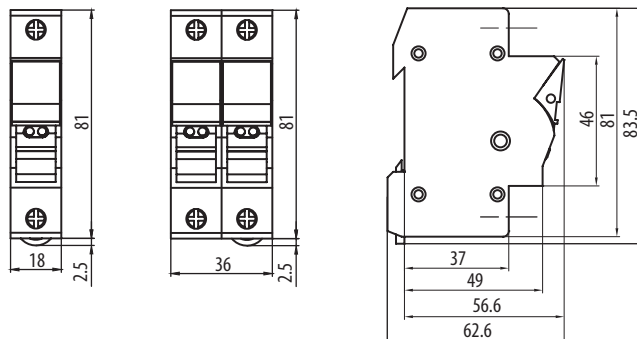
#### Specifications

Type	OPVF	
Standards	IEC 60269-1 IEC 60269-2 EN 60269-1 EN 60269-2	
Approval marks		
Rated current	$I_n$	30 A
Rated voltage	$U_n$	DC 1 000 V
Fuse-link size	diameter x length	10x38
Max. power losses of the fuse-link	$P_v$	3 W
Rated short-time withstand current	$I_{sw}$ 1 s	1.6 kA
<b>Connection</b>		
Connection cross-section	Cu / 0.75 ÷ 25 mm <sup>2</sup> 2x (6 ÷ 10) stranded in the same size PC10 16 A and 20 A gPV min. 4 mm <sup>2</sup>	
<b>Torque</b>		
2 ÷ 2.5 Nm		
<b>Operating conditions</b>		
Degree of protection, cover closed: IP20		
Operating ambient temperature: -25 ÷ +55 °C		
Max. sea level: 2 000 m		

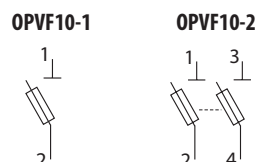
#### Correction of rated current of fuse-links PC10 gPV according to number of poles

Type	$I_n$ [A]	Reduced rated current [A] (Number of poles)				
		1	3	5	7	10
OPVF10	30	30	30	30	30	30

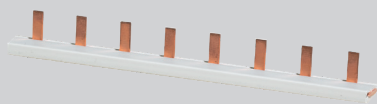
#### Dimensions



#### Diagram



## ACCESSORIES FOR OPVF



S1L-1000-10



EKC-1



EKD-5

### Interconnecting busbars for OPVF

Number of poles	Spacing of outlets [mm]	Number of outlets	Cross-section [mm <sup>2</sup> ]	Type	Order code	End cap	Weight [kg]	Package [pcs]
1	17.8	12	10	<b>S1L-210-10</b>	OEZ:38475	- <sup>1)</sup>	0.045	50
		57	10	<b>S1L-1000-10</b>	OEZ:37373	EKC-1	0.204	50
		12	16	<b>S1L-210-16</b>	OEZ:37374	- <sup>1)</sup>	0.047	50
		57	16	<b>S1L-1000-16</b>	OEZ:37375	EKC-1	0.302	50

Technical parameters see page B8

### Accessories of interconnecting busbars

#### End caps

- For covering the ends of interconnecting busbars.

Type	Order code	Description	Weight [kg]	Package [pcs]
<b>EKC-1</b>	OEZ:37383	for 1-pole busbars of cross-section 10, 12, 16 mm <sup>2</sup>	0.00005	10

#### Outlet cover

- It enables isolation of unused outlets of interconnecting busbars.
- For covering five unused outlets.

Type	Order code	Description	Weight [kg]	Package [pcs]
<b>EKD-5</b>	OEZ:43147	for S1L., S2L., S3L..	0.004	10