

FUSE HOLDERS SP40, SP50



SP40T06



SP50U10

- Fuse holders are intended for fuse-links for semiconductor protection.
- The SP4. base is made from steatite with high mechanical strength and thermal resistance.
- The SP50 base is made from plated steel sheet. Contact carriers are for steatite with high mechanical strength and thermal resistance.

SP40 with ceramic base

Type	Order code	Description	Weight [kg]	Package [pcs]
SP40K06	OEZ:06529	for P50K06	0.200	3
SP40T06	OEZ:06530	for P50N06, P50R06	0.350	3
SP41T06	OEZ:10449	for P50T06	0.390	3

SP50 with steel base

Type	Order code	Description	Weight [kg]	Package [pcs]
SP50U06	OEZ:14131	for P40U06, P50U06	0.520	3
SP50U10	OEZ:06532	for P52U06, P40U10, P50U10	0.590	3
SP50V10	OEZ:06533	for P50V10	0.600	3
SP50X16	OEZ:10461	for P50V16	0.700	3



Accessories

Terminals for parallel connection of fuse-links	CS-P50TUV-2PS..	page G18
---	-----------------	----------

Specifications

Type		SP40K06	SP40T06	SP41T06	SP50U06
Standards		IEC 60269-4; EN 60269-4	IEC 60269-4; EN 60269-4	IEC 60269-4; EN 60269-4	IEC 60269-4; EN 60269-4
Approval marks					
Rated voltage AC/DC	U _n	690 V	690 V	690 V	690 V
Rated current	I _n	50 A	160 A	400 A	630 A
Connection					
Bolt torque		2 Nm	6 Nm	10 Nm	20 Nm
Degree of protection		IP00	IP00	IP00	IP00

Type		SP50U10	SP50V10	SP50X16
Standards		IEC 60269-4; EN 60269-4	IEC 60269-4; EN 60269-4	IEC 60269-4; EN 60269-4
Approval marks				
Rated voltage AC/DC	U _n	1 000 V	1 000 V	1 800 V
Rated current	I _n	630 A	700 A	630 A
Connection				
Bolt torque		6 Nm	10 Nm	20 Nm
Degree of protection		IP00	IP00	IP00



Fuse-link assignment to fuse holders, fuse-bases and switch-disconnectors

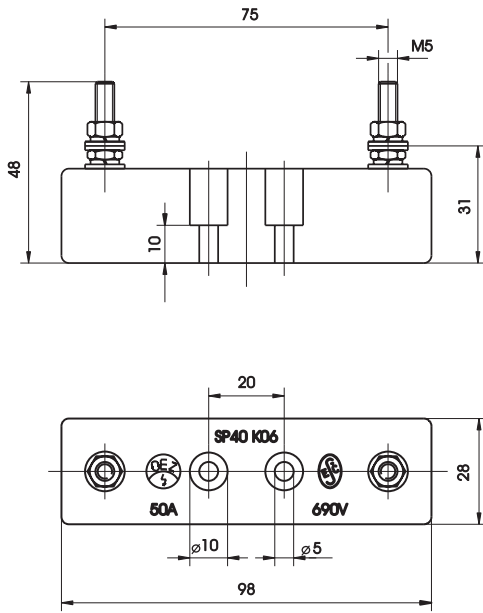
Holder type	U _n [V]	P50K06	P50N06	P50R06	P50T06	P50U06	P52U06	P40U10	P50U10	P50V10	P50V16	P51R06	P51U06	P51V06
SP40K06	690	x												
SP40T06	690		x	x								SPF00 ¹⁾	SPF1 ¹⁾	SPF2 ¹⁾
SP41T06	690				x							SPB00 ¹⁾	SPB1 ¹⁾	SPB2 ¹⁾
SP50U06	690					x						S3PB00 ¹⁾	S3PB1 ¹⁾	S3PB2 ¹⁾
SP50U10	1 000						x	x	x			3NP112 ²⁾	3NP114 ²⁾	3NP115 ²⁾
SP50V10	1 000									x		3NP113 ²⁾	3NP115 ²⁾	3NP116 ²⁾
SP50X16	1 800										x			

¹⁾ Conductor connection rating according to EN 60269-4.

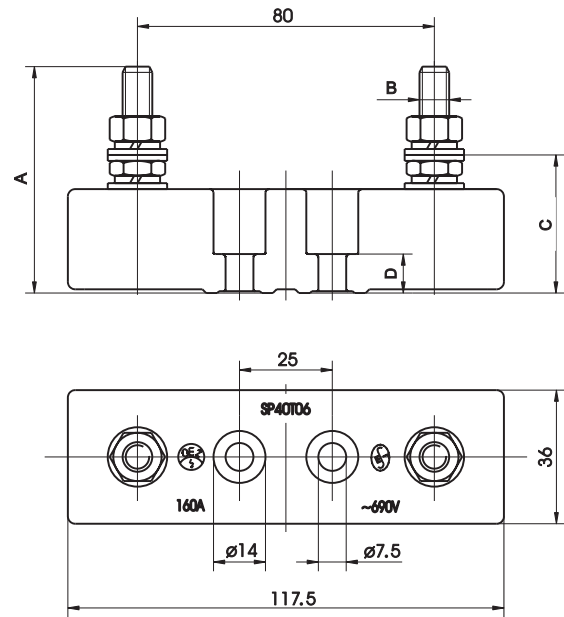
²⁾ Conductor connection rating on request from the manufacturer.

Dimensions

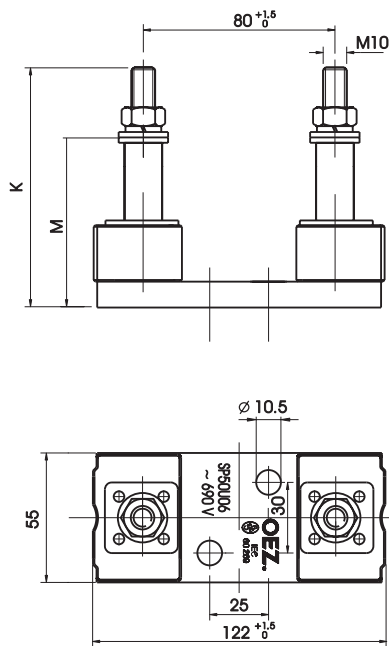
SP40K06



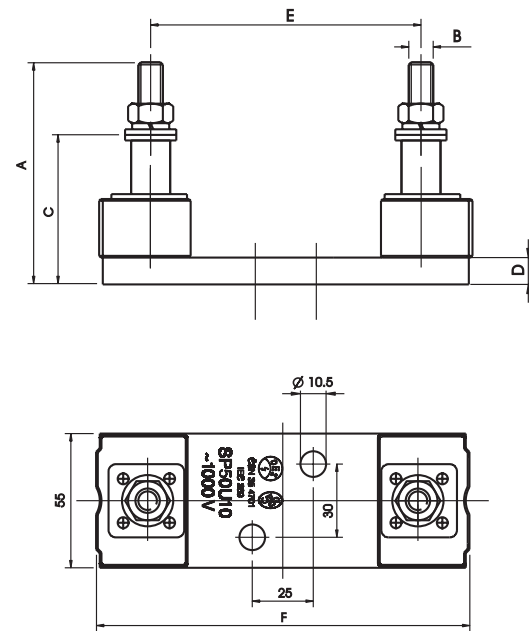
SP40T06, SP41T06



SP50U06



SP50.10, SP50X16



Type	A	B	C	D	E	F	K	M
SP40T06	59	M8	35.5	11	-	-	-	-
SP41T06	64	M10	38.0	11	-	-	-	-
SP50U06	-	-	-	-	-	-	89	59
SP50U10	90	M10	61.0	11	110	153	-	-
SP50V10	94	M10	65.0	11	110	153	-	-
SP50X16	101	M10	72.0	11	170	211	-	-

ACCESSORIES FOR SP40, SP50



CS-P50TUV-2PS1000

Terminals for parallel connection of fuse-links

- To increase the rated current of the fuse-links can be connected in parallel as pairs or squares of P40..., P50... provided the following condition are met:
 - it is necessary to contact the manufacturer
 - fuse-links must be the same type
 - rated current of fuse-link with max. 5% difference of DC voltage drop
- Power losses of parallel conection are approximately equal to the summ of power losses of individual fuse-links.
- The time/current characteristic of the set is identical in shape to the time/current characteristic of individual fuse-link.
- The values of prospective current must be multiplied by the number of fuse-links connected in parallel. The set values of I^2t_c are equal to the product of the value of I^2t_c of individual fuse-link and square of the number of parallel fuse-links.

Example:

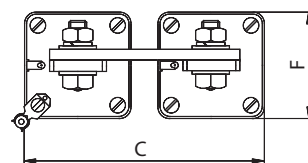
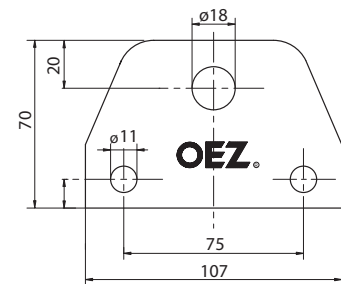
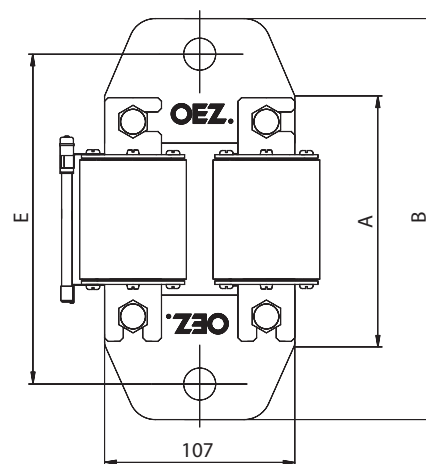
4 fuse-links P50T06 250 A aR connected in parallel with value of I^2t_c for selected current 51 000 A²s.
 I^2t_c of the set: $51\ 000 \times 4^2 = 816\ 000\ A^2s$

Terminals for parallel connection of fuse-links

I_n [A]	Type	Order code	Terminal thickness [mm]	Weight [kg]	Package [pcs]
400 ÷ 800	CS-P50TUV-2PS800	OEZ:15585	3	0.165	5
1 000	CS-P50TUV-2PS1000	OEZ:15586	4	0.221	5
1 250	CS-P50TUV-2PS1250	OEZ:15587	5	0.277	5
1 600	CS-P50TUV-2PS1600	OEZ:15588	6	0.332	5

For connection of other number of fuse-links in parallel, it is recommended to contact the manufacturer

Dimensions



Type	A	B	C	D	E	F
	[mm]					
2x P50U06	122	196	127	65	156	51
2x P40U10	154	226	127	65	186	51
2x P50U10	154	226	127	65	186	51