

ACCESSORIES FOR PV



Disconnecting links

- They are used anywhere, where it is necessary either to create an easy-to-disconnect connection or for various reasons to replace a fuse-link (in measurement etc.)
- They are used in fuse switch-disconnectors for cylindrical fuse-links.

$I_n$ [A]	Type	Order code	Description	Weight [kg]	Package [pcs]
32	<b>ZPV10</b>	OEZ:13197	for OPVP10	0.008	10
63	<b>ZPV14</b>	OEZ:13198	for OPVP14	0.017	10
125	<b>ZPV22</b>	OEZ:13199	for OPVP22	0.047	10
63	<b>ZPT22</b>	OEZ:08609	for OPVT22	0.098	10

Replacement tongs

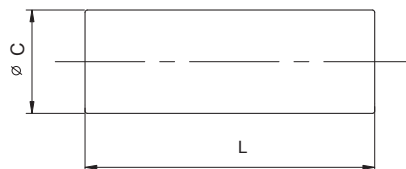
- Replacement tongs are used for handling in fuse-bases.

Type	Order code	Weight [kg]	Package [pcs]
<b>KV</b>	OEZ:06687	0.020	1

Specifications

Type	<b>ZP...</b>
Standards	EN 60269-1, -2; DIN 43 620
Approval marks	

Dimensions



Type	$\varnothing C$	L
<b>ZPV10</b>	10.3	38
<b>ZPV14</b>	14.3	51
<b>ZPV22</b>	22.8	58
<b>ZPT22</b>	22.8	127

ACCESSORIES FOR PNA, PHNA




Disconnecting links

- They are used wherever it is necessary to disconnect power supply or for various reasons to replace fuse-link (in measuring etc.).
- They are used in fuse switch-disconnectors, fuse-rails and fuse-bases.

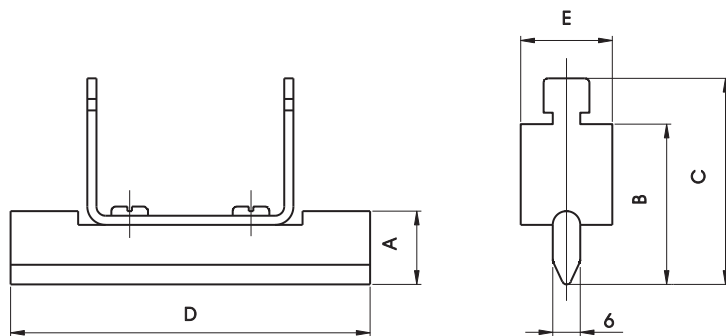
$I_n$ [A]	Type	Order code	Size	Weight [kg]	Package [pcs]
160	ZP000 <sup>1)</sup>	OEZ:06401	000, 00	0.09	3
250	ZP1	OEZ:06402	1	0.17	3
400	ZP2	OEZ:06403	2	0.23	3
630	ZP3	OEZ:06404	3	0.29	3
1000	ZP3/1000	OEZ:10442	3	0.35	3
1250	TM4a/1250A	OEZ:10446	4a	1.58	1
1600	TM4a/1600A	OEZ:14801	4a	1.60	1

<sup>1)</sup> Can be used in fuse switch-disconnectors of size 000, 00 and fuse-bases size 00

Specifications

Type	ZP..
Standards	EN 60269-1, -2; DIN 43 620
Approval marks	

Dimensions



Type	Dimensions [mm]				
	A	B	C	D	E
ZP000	15	35	45	78.5	20.0
ZP1	20	40	50	135.0	20.0
ZP2	25	48	58	150.0	20.0
ZP3	32	60	70	150.0	20.0
ZP3/1000	40	60	70	150.0	20.0
TM4a/1250A	50	89	98	200.0	30.0
TM4a/1600A	50	108	118	200.0	44.5