

**SUMMARY OF MODELS**



Type	RZA	RZB	RZG	RZI
Design	steel-plastic	steel-sheet	plastic	plastic with higher degree of protection
Installation	flush-mounted / into hollow walls	flush-mounted / wall-mounted	flush-mounted / wall-mounted / into hollow walls	wall-mounted
Total number of modules	14 ÷ 56	72 ÷ 198	4 ÷ 56	4 ÷ 54
Degree of protection	IP30	IP30	IP40	IP65
Degree of protection against external mechanical impacts	IK07	IK09	IK08	IK08
Rated values of the used devices	max. 63 A, AC 230/400 V	max. 125 A, AC 230/400 V	max. 63 A, AC 230/400 V	max. 63 A, AC 230/400 V
Rated insulation voltage	AC 500 V	AC 500 V	AC 500 V	AC 500 V, DC 1 500 V
Protection class	II	I	II	II
Glow wire test	max. 650 °C / max. 850 °C	max. 650 °C	max. 650 °C / max. 850 °C	max. 650 °C
The standard equipment contains terminal blocks	PE, N, from 28 modules N for RCCB	PE, N, N for RCCBs	PE, N, from 14 modules N for RCCB	PE, N

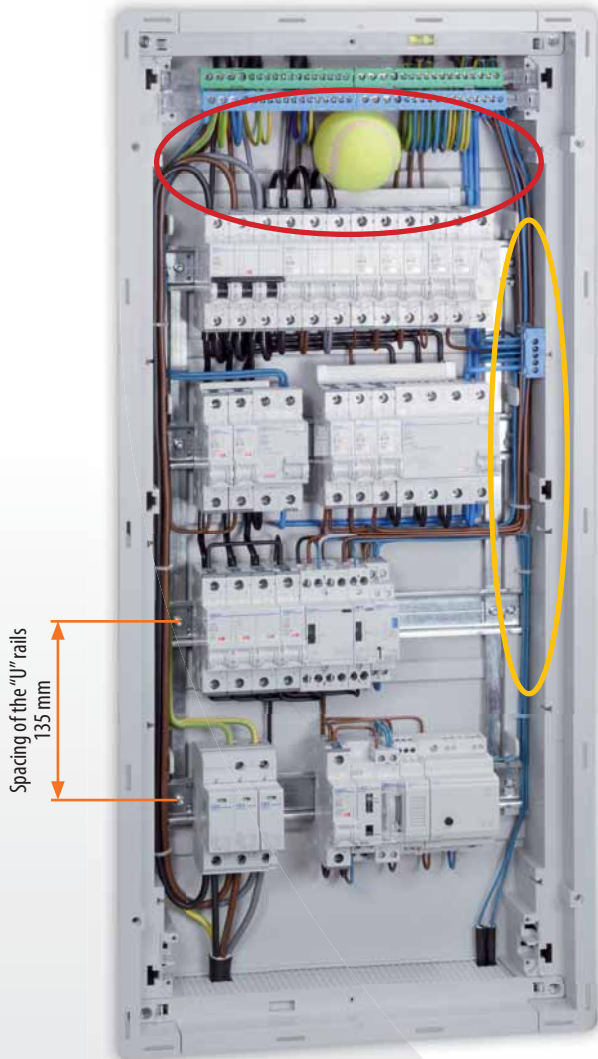
**Accessories**

<b>Locks</b> 	PD-RA-UZA	PD-RB-UZU	-	PD-RI-UZU
<b>Mounting anchors into wall</b> 	Part of standard supply	PD-RB-4MU	-	-
<b>Mounting anchors into hollow walls</b> 	PD-RA-DHA Part of supply of RZA into hollow walls	-	PD-RG-.. DH Part of supply of RZG into hollow walls	-
<b>Blind plates</b> 	PD-RA-ZAS-B	PD-R-ZAS1000-B	PD-RA-ZAS-B	PD-RI-ZAS-S
<b>PE and N terminal blocks</b> 	PD-RA-SB17PE17N PD-RA-SB24PE PD-RA-SB24N PD-RA-SB34PE PD-RA-SB34N	PD-RB-SB25 PD-RB-SB30 PD-RB-SB40 PD-RB-SB47 PD-RB-SB62 PD-RB-SB82 + holders	PD-RG-SB8 PD-RG-SB14	-
<b>N terminal blocks for RCCB</b> 	PD-RA-SB5N	PD-RB-SB7N + holders	PD-RG-SB5	-

## DESCRIPTION

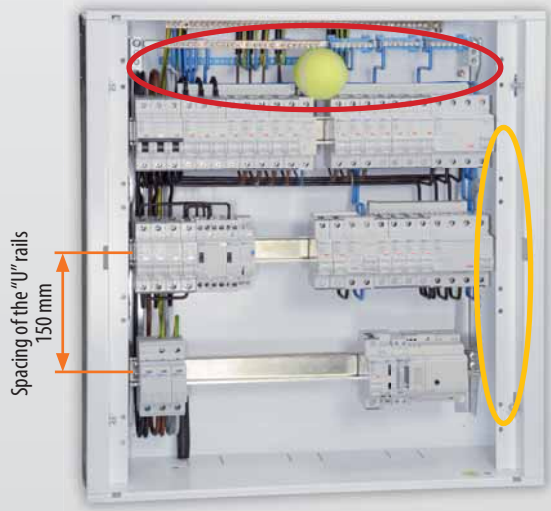
### Enhanced space

#### RZA

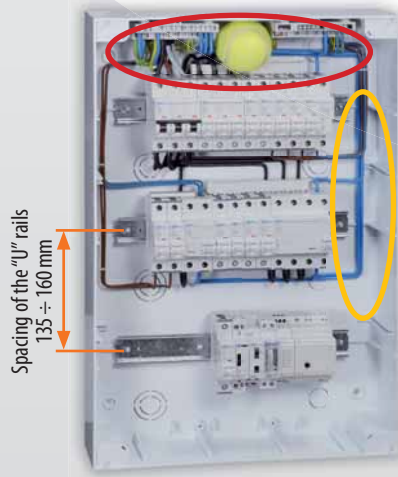


- ▶ **Comfort space at terminal block**
  - ▷ exceptional distance of terminal blocks from the first row of devices
  - ▷ large space for connection of inlet conductors
  - ▷ large space for creation of reserves especially at outlet conductors
  - ▷ enough space for conductors also after interconnection of the devices by means of the upper busbar
  
- ▶ **Space under the "U" rails**
  - ▷ large space for conductors below "U" rails
    - 10 mm at RZA, RZG
    - 45 mm at RZI
    - 50 mm at RZB
  
- ▶ **Space at the sides of the enclosure**
  - ▷ plenty of space for conductors at usual equipment density
  - ▷ comfortable work even in case of installation of the maximum number of devices in the row
  
- ▶ **Maximum space between the rows of devices**
  - ▷ all enclosures offer the most space in their category
  - ▷ plenty of space for both interconnection of device and connection of outlet conductors
    - 135 mm at RZA
    - 135 ÷ 160 mm at RZG
    - 150 mm at RZI
    - 150 mm at RZB

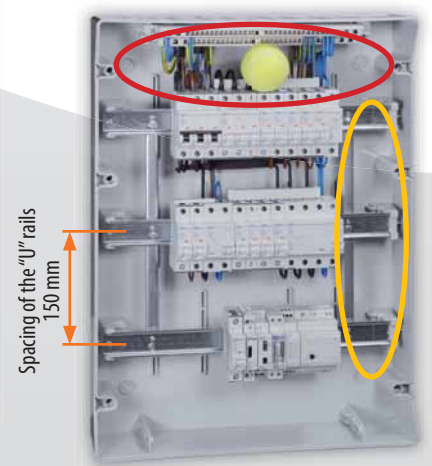
#### RZB



#### RZG



#### RZI

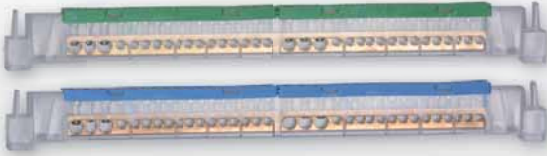


**DESCRIPTION**

**Large number of terminals**

**RZA**

PE and N terminal blocks



N terminal block for RCCB



**Number of terminals**

Number of modules	Number of terminals		
	PE	N	N for RCCB
14	17	17	-
28	17	17	1x 5
42	24	24	1x 5
56	34	34	1x 5

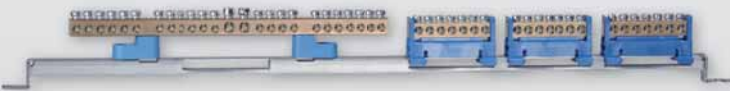
**RZB**

PE terminal block



N terminal block

N terminal blocks for RCCBs



**Number of terminals**

Number of modules	Number of terminals		
	PE	N	N for RCCB
72	47	25	3x 7
96	47	25	3x 7
120	62	30	4x 7
144	62	30	5x 7
132	62	40	4x 7
165	82	40	5x 7
198	82	40	5x 7

**RZG**

Two PE terminal blocks

Two N terminal blocks for RCCBs

N terminal block



**Number of terminals**

Number of modules	Number of terminals		
	PE	N	N for RCCB
4	8	5	-
8	14	5	1x 5
14	14	5	1x 5
18	14	14	1x 5
24	2x 14	14	2x 5
40	2x 14	14	2x 5
42	2x 14	14	2x 5
56	2x 14	14	2x 5

**RZI**

PE terminal block



N terminal block



**Number of terminals**

Number of modules	Number of terminals		
	PE	N	N for RCCB
4	5	5	-
6	5	5	-
8	9	9	-
12	14	14	-
18	18	18	-
24	18	18	-
36	26	26	-
36	26	26	-
54	36	36	-

## PLASTIC WALL-MOUNTED ENCLOSURES RZI (IP65)



### Basic description

- For building, industrial and similar installations.
- Suitable for installation of modular devices Minia.
- Colour: grey.
- Door: transparent, opening right/left.
- For mounting devices on "U" rails according to EN 60715 of width 35 mm with cut-out in 45 mm cover plate.
- Removable frame with "U" rails.
- 1 module = 18 mm.

### Advantages

- Unusual large space below "U" rails.
- Large number of terminals.
- Spacing of the "U" rails 150 mm.
- Robust, rigid design.
- Expanded polyurethane sealing.

### Wall-mounted RZI

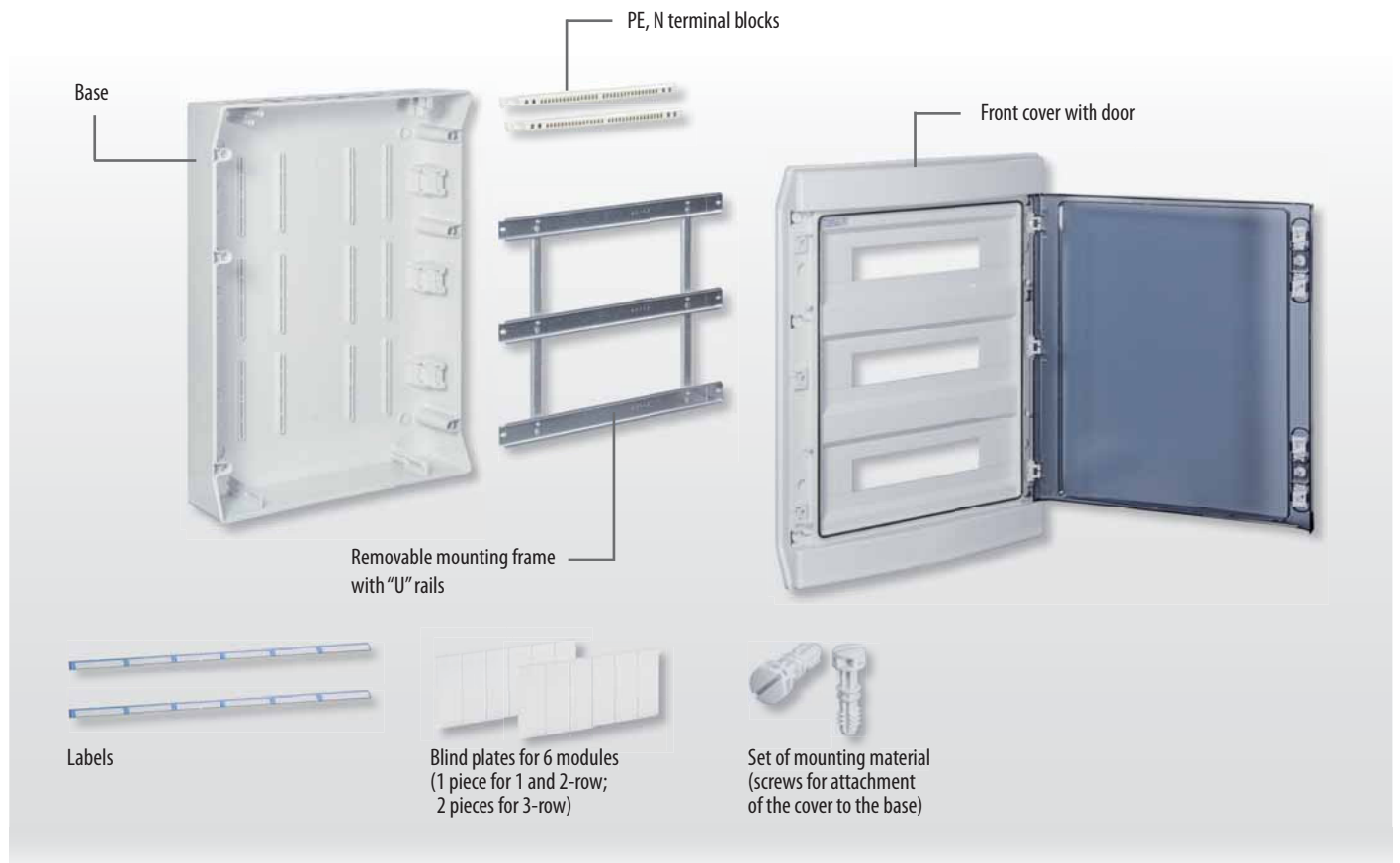
Door	Total number of modules	Number of rows x modules in a row	Type	Order code	Weight [kg]	Package [pcs]
Transparent	4	1 x 4	<b>RZI-N-1T4</b>	OEZ:44382	0.75	1
	6	1 x 6	<b>RZI-N-1T6</b>	OEZ:44383	0.84	1
	8	1 x 8	<b>RZI-N-1T8</b>	OEZ:44384	0.95	1
	12	1 x 12	<b>RZI-N-1T12</b>	OEZ:44385	1.40	1
	18	1 x 18	<b>RZI-N-1T18</b>	OEZ:44386	1.98	1
	24	2 x 12	<b>RZI-N-2T24</b>	OEZ:44387	2.26	1
	36	2 x 18	<b>RZI-N-2T36</b>	OEZ:44388	3.03	1
	36	3 x 12	<b>RZI-N-3T36</b>	OEZ:44389	3.21	1
	54	3 x 18	<b>RZI-N-3T54</b>	OEZ:44390	3.97	1

### Accessories

Lock	<b>PD-RI-UZU</b>	page B34
Blind plate	<b>PD-RI-ZAS-S</b>	page B34
Spare parts	<b>ND-RI-..</b>	page B35


## PLASTIC WALL-MOUNTED ENCLOSURES RZI (IP65)

### Standard content of package

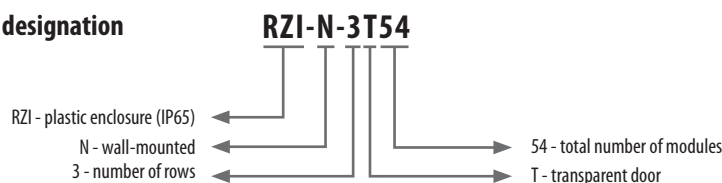


## PLASTIC WALL-MOUNTED ENCLOSURES RZI (IP65)

### Specifications

Type	RZI
Standards	IEC 62208 EN 62208
Approval marks	
Installation	wall-mounted
Glow wire test	max. 650 °C
Degree of protection	IP65
Rated values of the used devices	max. 63 A, AC 230/400 V
Rated insulation voltage	AC 1 000 V, DC 1 500 V
Degree of protection against external mechanical impacts	IK08
Protection class	II
For installation on materials of fire reaction class	A1, A2 according to EN 13501-1
Device rail	"U" rail according to EN 60715 of width 35 mm
Material	
Material of front cover	self-extinguishing thermoplastic (ABS)
Material of base	self-extinguishing thermoplastic (ABS)
Material of door	self-extinguishing thermoplastic (PC)
Door	
Opening	right/left
Design	transparent
Colour	grey

### Type designation



### Power loss and static load

Type	Power loss * [W]	Static load [kg]	
		per a row	total
RZI-N-1T4	11.1	1.1	1.1
RZI-N-1T6	12.5	1.7	1.7
RZI-N-1T8	14.2	2.4	2.4
RZI-N-1T12	19.7	3.6	3.6
RZI-N-1T18	26.7	5.4	5.4
RZI-N-2T24	29.6	3.5	7.0
RZI-N-2T36	36.0	5.4	10.8
RZI-N-3T36	37.3	3.6	10.8
RZI-N-3T54	45.2	5.3	15.8

\* Power loss dissipated by the surface of the enclosure for  $\Delta T = 20$  K (difference between internal and external temperature) according to IEC 890 + A11.

### Terminal blocks

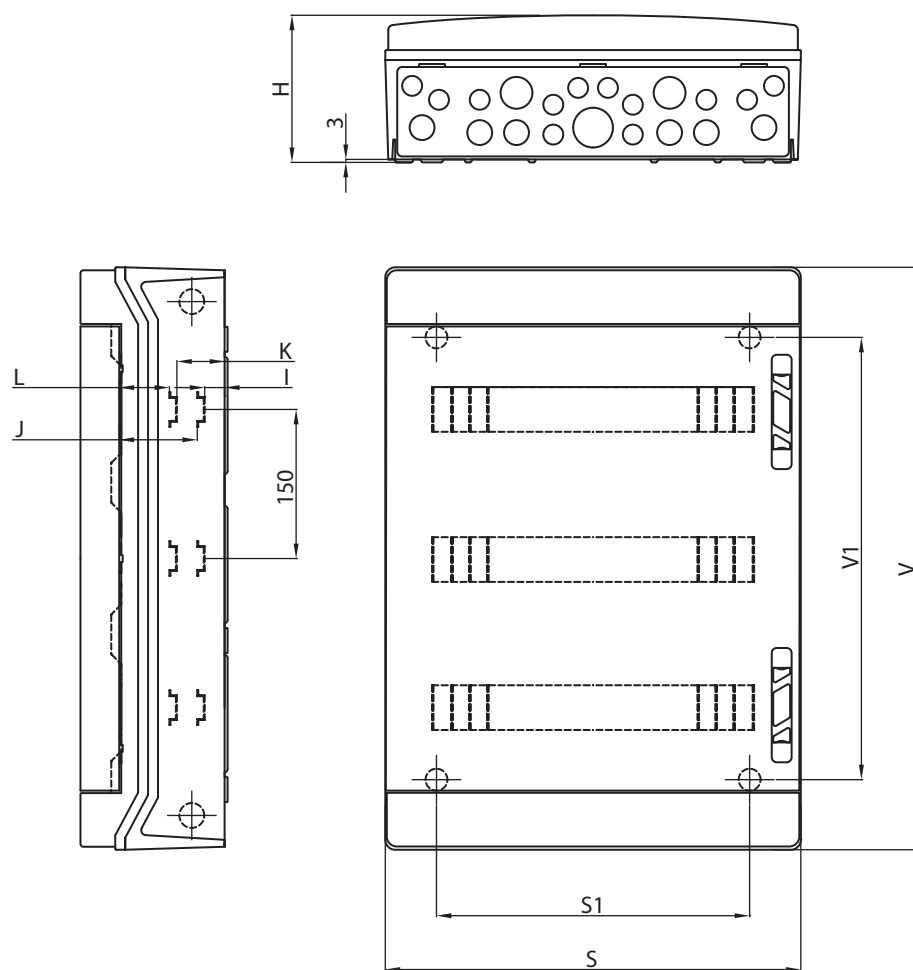
Type	Terminal blocks		N terminal blocks for RCCBs
	PE	N	
RZI-N-1T4	1x 35 mm <sup>2</sup> + 1x 10 mm <sup>2</sup> + 3x 6 mm <sup>2</sup>	1x 35 mm <sup>2</sup> + 1x 10 mm <sup>2</sup> + 3x 6 mm <sup>2</sup>	-
RZI-N-1T6	1x 35 mm <sup>2</sup> + 1x 10 mm <sup>2</sup> + 3x 6 mm <sup>2</sup>	1x 35 mm <sup>2</sup> + 1x 10 mm <sup>2</sup> + 3x 6 mm <sup>2</sup>	-
RZI-N-1T8	1x 35 mm <sup>2</sup> + 3x 10 mm <sup>2</sup> + 5x 6 mm <sup>2</sup>	1x 35 mm <sup>2</sup> + 3x 10 mm <sup>2</sup> + 5x 6 mm <sup>2</sup>	-
RZI-N-1T12	1x 35 mm <sup>2</sup> + 1x 25 mm <sup>2</sup> + 6x 10 mm <sup>2</sup> + 6x 6 mm <sup>2</sup>	1x 35 mm <sup>2</sup> + 1x 25 mm <sup>2</sup> + 6x 10 mm <sup>2</sup> + 6x 6 mm <sup>2</sup>	-
RZI-N-1T18	1x 35 mm <sup>2</sup> + 1x 25 mm <sup>2</sup> + 8x 10 mm <sup>2</sup> + 8x 6 mm <sup>2</sup>	1x 35 mm <sup>2</sup> + 1x 25 mm <sup>2</sup> + 8x 10 mm <sup>2</sup> + 8x 6 mm <sup>2</sup>	-
RZI-N-2T24	1x 35 mm <sup>2</sup> + 1x 25 mm <sup>2</sup> + 8x 10 mm <sup>2</sup> + 8x 6 mm <sup>2</sup>	1x 35 mm <sup>2</sup> + 1x 25 mm <sup>2</sup> + 8x 10 mm <sup>2</sup> + 8x 6 mm <sup>2</sup>	-
RZI-N-2T36	1x 35 mm <sup>2</sup> + 1x 25 mm <sup>2</sup> + 12x 10 mm <sup>2</sup> + 12x 6 mm <sup>2</sup>	1x 35 mm <sup>2</sup> + 1x 25 mm <sup>2</sup> + 12x 10 mm <sup>2</sup> + 12x 6 mm <sup>2</sup>	-
RZI-N-3T36	1x 35 mm <sup>2</sup> + 1x 25 mm <sup>2</sup> + 12x 10 mm <sup>2</sup> + 12x 6 mm <sup>2</sup>	1x 35 mm <sup>2</sup> + 1x 25 mm <sup>2</sup> + 12x 10 mm <sup>2</sup> + 12x 6 mm <sup>2</sup>	-
RZI-N-3T54	1x 35 mm <sup>2</sup> + 1x 25 mm <sup>2</sup> + 16x 10 mm <sup>2</sup> + 16x 6 mm <sup>2</sup>	1x 35 mm <sup>2</sup> + 1x 25 mm <sup>2</sup> + 16x 10 mm <sup>2</sup> + 16x 6 mm <sup>2</sup>	-

## PLASTIC WALL-MOUNTED ENCLOSURES RZI (IP65)

### Number of pre-formed cut-outs for bushings

Type of enclosure	Upper/lower pre-formed cut-outs from outside				Left side / Right side pre-formed cut-outs from inside		Rear side pre-formed cut-outs from outside	
	M20 [pcs]	M25 [pcs]	M32 [pcs]	M40 [pcs]	M25 [pcs]	M25 + M32 [pcs]	M25 [pcs]	M32 [pcs]
RZI-N-1T4	-	2	-	1	-	4 + 0	-	-
RZI-N-1T6	-	2	-	1	-	4 + 0	-	-
RZI-N-1T8	-	4	-	1	-	4 + 0	-	-
RZI-N-1T12	6	2	2	1	2	4 + 2	-	-
RZI-N-1T18	12	6	2	1	2	4 + 2	-	-
RZI-N-2T24	8/6	2	2	1	2	4 + 2	-	-
RZI-N-2T36	12	6	2	1	2	4 + 2	-	-
RZI-N-3T36	8/6	2	2	1	2	4 + 2	-	-
RZI-N-3T54	12	6	2	1	2	4 + 2	-	-

### Dimensions



Type	Width	Height	Depth	Drilling diagram					
	S [mm]	V [mm]	H [mm]	S1 [mm]	V1 [mm]	I [mm]	K [mm]	J [mm]	L [mm]
RZI-N-1T4	166	231	113	76	121	16	-	50.5	-
RZI-N-1T6	202	231	113	97	121	16	-	50.5	-
RZI-N-1T8	238	231	118	133	121	16	-	50.5	-
RZI-N-1T12	310	246	148	207	121	18	46	78.0	50.5
RZI-N-1T18	418	286	148	315	145	18	46	78.0	50.5
RZI-N-2T24	310	436	148	207	295	18	46	78.0	50.5
RZI-N-2T36	418	436	148	315	295	18	46	78.0	50.5
RZI-N-3T36	310	586	148	207	445	18	46	78.0	50.5
RZI-N-3T54	418	586	148	315	445	18	46	78.0	50.5



RZI ACCESSORIES



PD-RI-UZU



PD-RI-ZAS-S

**Lock**

- Locking insert.
- 2 keys with the same combination.

Type	Order code	Weight [kg]	Package [pcs]
PD-RI-UZU	OEZ:44391	0.04	1

**Blind plate**

- Width of 6 modules.
- Grey.

Type	Order code	Weight [kg]	Package [pcs]
PD-RI-ZAS-S	OEZ:44392	0.01	1

**Spare parts**

Type	Order code	Description	Weight [kg]	Package [pcs]
ND-RI-PD	OEZ:44399	door hinge for RZI, 1 pc	0.006	1
ND-RI-U	OEZ:44400	closing for RZI, 1 set (3 parts)	0.014	1
ND-RI-SCRZ-1	OEZ:44401	screw for RZI, mounting front cover-base, 1 pc	0.006	1
ND-RI-K	OEZ:44402	wall mounting screw cover for RZI, set of 4 pcs	0.006	1
ND-RI-D1T4	OEZ:44404	transparent door for RZI-N-1T4, including closing, without hinges	0.096	1
ND-RI-D1T6	OEZ:44405	transparent door for RZI-N-1T6, including closing, without hinges	0.120	1
ND-RI-D1T8	OEZ:44406	transparent door for RZI-N-1T8, including closing, without hinges	0.136	1
ND-RI-D1T12	OEZ:44407	transparent door for RZI-N-1T12, including closing, without hinges	0.205	1
ND-RI-D1T18	OEZ:44408	transparent door for RZI-N-1T18, including closing, without hinges	0.273	1
ND-RI-D2T24	OEZ:44409	transparent door for RZI-N-2T24, including closing, without hinges	0.383	1
ND-RI-D2T36	OEZ:44410	transparent door for RZI-N-2T36, including closing, without hinges	0.535	1
ND-RI-D3T36	OEZ:44411	transparent door for RZI-N-3T36, including closing, without hinges	0.561	1
ND-RI-D3T54	OEZ:44412	transparent door for RZI-N-3T54, including closing, without hinges	0.752	1
ND-RI-SB5	OEZ:44393	terminal block, for RZI-N-1T4I, RZI-N-1T6	0.076	1
ND-RI-SB9	OEZ:44394	terminal block, for RZI-N-1T8	0.103	1
ND-RI-SB14	OEZ:44395	terminal block, for RZI-N-1T12	0.186	1
ND-RI-SB18	OEZ:44396	terminal block, for RZI-N-1T18, RZI-N-2T24	0.214	1
ND-RI-SB26	OEZ:44397	terminal block, for RZI-N-2T36, RZI-N-3T36	0.330	1
ND-RI-SB36	OEZ:44398	terminal block, for RZI-N-3T54	0.418	1